



||| a Standex company

Item \_\_\_\_\_

**HIGH VOLUME  
NON-REFRIGERATED  
BAKERY CASE  
MODEL SGD3148  
SGD3642 SGD3648  
SGD5042 SGD5048  
SGD5942 SGD5948  
SGD7742 SGD7748**



*Display more product and serve more customers with presentation and value in mind.  
Cases are available in lengths of 31", 36", 50", 59", and 77". Designed for continuous case line-ups  
without middle end glass.*

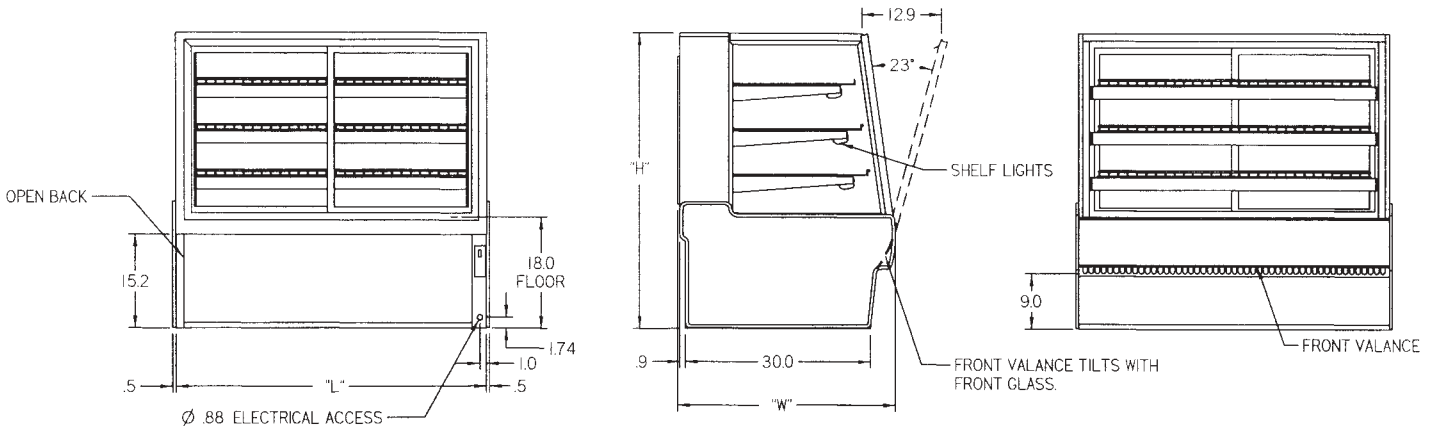
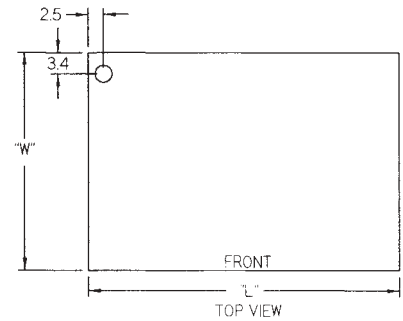
**STANDARD FEATURES**

- Adjustable white wire shelves. Shelves are adjustable up and down and can also be tilted in three positions. 48" models have three tiers of shelves; 42" models have two tiers of shelves.
- Tempered tilt-out front glass for easy cleaning. Front glass is sloped for high visual product display.
- Tempered glass top, ends, and doors.
- Removable sliding rear doors, shelf lights, shelf supports, and shelves.
- 31" and 36" have two swing doors.
- Shielded top light and shelf lights.
- Steel base construction with a choice of six standard laminates on base. Other finishes optional.
- Scratch-resistant, corrosion-proof white vented display deck.
- Designed for continuous line-ups.
- Black trim.
- UL Safety and UL Sanitation Listed.

# HIGH VOLUME NON-REFRIGERATED BAKERY CASE

## OPTIONAL ACCESSORIES:

- \* Special Base Finish
- \* Glass Shelves
- \* Rear Wrapping Board
- \* Cord & Plug (NEMA 5-15)
- \* Fan Kit
- \* Black, Gold, or Chrome Wire Shelves
- \* Reflective Ends
- \* White or Mirrored Interior Ends with Laminated Exterior
- \* Reflective Rear Doors
- \* Casters/Cord & Plug Included
- \* Legs
- \* Top Cutting Board, White
- \* Package Shelf
- \* Light Below Package Shelf
- \* Front Glass & Rear Door Locks
- \* Joining Kit for Continuous Line-ups



## SPECIFICATIONS:

Model	Dimensions			Shipping Weight (Lbs.)	Bakery Pan Capacity	Electrical (120/60/1)
	L	W	H			
SGD3148	31.13" x 35.31"	48"	270	4 (18" x 26") & 4 (9" x 26")	1.5 AMPS	
SGD3642	36.13" x 35.31"	42"	385	3 (18" x 26") & 3 (9" x 26")	1.5 AMPS	
SGD3648	36.13" x 35.31"	48"	400	4 (18" x 26") & 4 (9" x 26")	1.5 AMPS	
SGD5042	50.13" x 35.31"	42"	425	6 (18" x 26") & 3 (9" x 26")	1.5 AMPS	
SGD5048	50.13" x 35.31"	48"	480	8 (18" x 26") & 4 (9" x 26")	1.5 AMPS	
SGD5942	59.13" x 35.31"	42"	505	9 (18" x 26")	1.5 AMPS	
SGD5948	59.13" x 35.31"	48"	535	12 (18" x 26")	1.5 AMPS	
SGD7742	77.13" x 35.31"	42"	685	12 (18" x 26")	1.5 AMPS	
SGD7748	77.13" x 35.31"	48"	715	16 (18" x 26")	1.5 AMPS	

- Due to continuing engineering improvements, specifications are subject to change without notice.



## Look to Federal for Innovative Merchandising



**Federal Industries**  
**A Standex Company**  
**215 Federal Avenue**  
**Belleville WI 53508-0290**  
**Phone: 800-356-4206**  
**Fax: 608-424-3234**  
**Email: geninfo@federalind.com**  
**Web Site: www.federalind.com**