



The Signature of Quality

FEDERAL INDUSTRIES

A Standex Company
215 Federal Avenue
Belleville, WI 53508-9201

Phone: 800-356-4206
Fax: 608-424-3234
Email: geninfo@federalind.com
Website: www.federalind.com

Project Name: _____

Item #: _____

Model #: _____ Qty: _____

Approval: _____

AIA#

SIS#

SERIES '90 NON-REFRIGERATED BAKERY CASE

Series '90. The ultimate merchandiser with advanced styling for maximum visual appeal. Designed for continuous case line-ups.



MODEL	DIMENSIONS (Includes End Panels)
<input type="checkbox"/> SN48	48.25 x 37.75 x 48.50 (in) 1226 x 959 x 1232 (mm)
<input type="checkbox"/> SN59	59.25 x 37.75 x 48.50 (in) 1505 x 959 x 1232 (mm)
<input type="checkbox"/> SN77	77.25 x 37.75 x 48.50 (in) 1962 x 959 x 1232 (mm)

STANDARD FEATURES

Model Features

- Adjustable white cantilevered shelves. Shelves are adjustable up and down and can be tilted.
- Lift-up pneumatic, cylinder-assisted, double-curve tempered front glass.
- Adjustable Leg Levelers
- Removable sliding rear doors, shelf lights, shelf supports, and shelves.
- Glass ends and rear doors. Rear doors are sloped for product access.
- Vent system to reduce heat build-up from the lights.
- Base trim: specify white, black, or stainless.
- End glass trim: specify white or black.
- All-welded base construction with a choice of six standard laminates on base. Other color laminates optional.
- Easily accessible control panel with main auxiliary fan and light control.
- Double-bend tempered front glass reduces glare from outside lighting.
- Case height is only 48" high allowing better interaction between the customer and the sales clerk.
- White display deck.

Shelving

- Adjustable white cantilevered shelves. Shelves are adjustable up and down and can also be tilted.

Lighting

- fluorescent top light and shelf lights. Lights are independently wired.
- DLC Certified, IP66 rated.

Agency Approvals

- UL Safety and NSF Listed.
- DOE 2017 Compliant.

OPTIONAL ACCESSORIES

- Special Base Finish
- Base Trim Specify White, Black, or Stainless
- End Glass Trim Specify White or Black
- Black or Stainless Steel Interior
- Glass, Black, or Chrome Shelves in Lieu of White
- Casters or Legs
- Cord and Plug (Six Foot)
- Front Package Shelf With or Without Light Below
- Reflective End Glass
- Mirrored Interior Ends With Laminated Exterior
- Reflective Rear Doors
- Rear Wrapping Board
- Front Glass and Rear Door Locks
- Top Service Shelf (Stainless Steel or Glass)



WARRANTY*
One year Parts and Labor
2nd thru 5th year part
only service compressor
(U.S.A and Canada)

Note: Information is subject to change at any time. Visit www.federalind.com for the most current specs.

AIA#

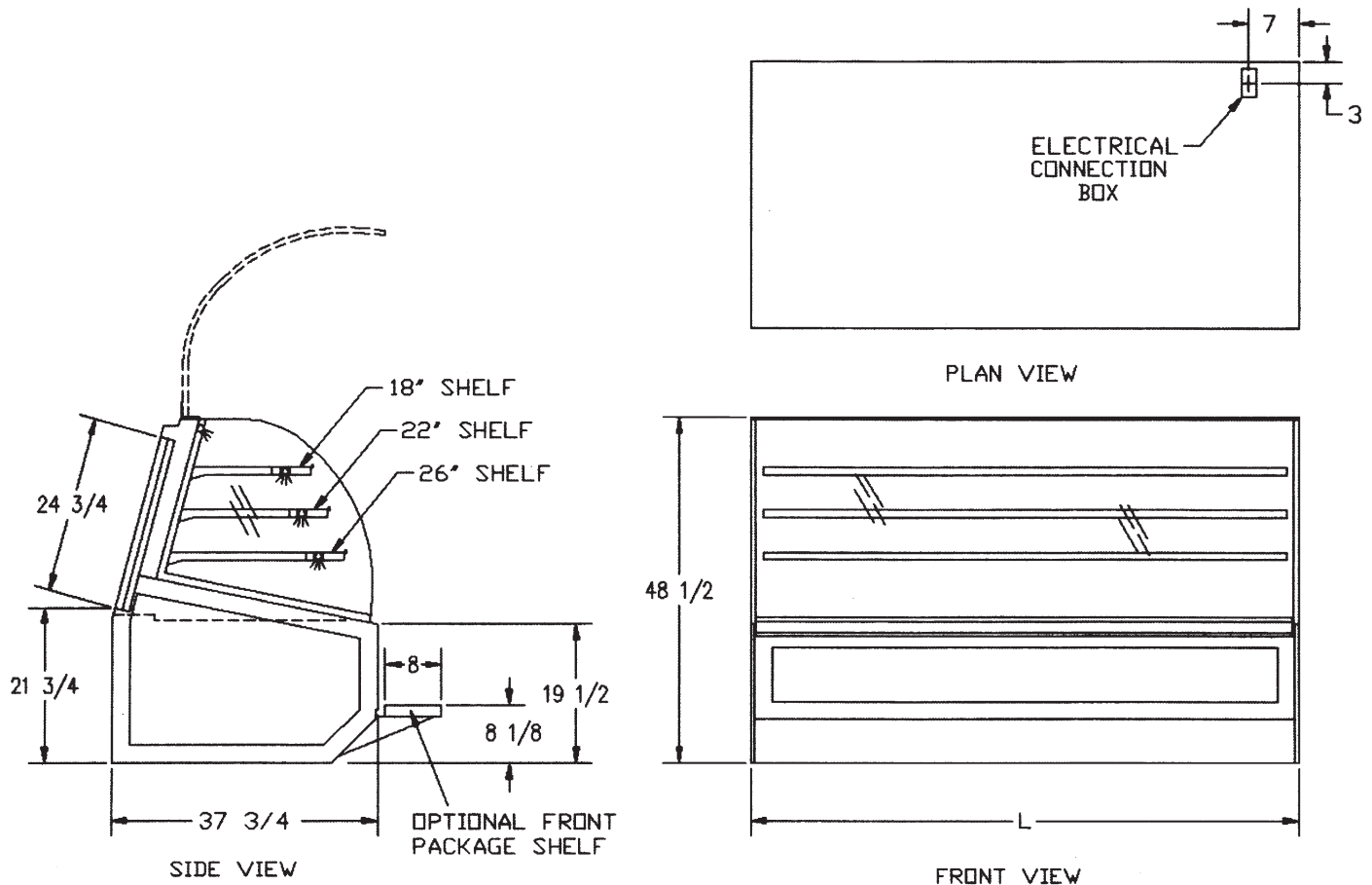
SERIES '90 NON-REFRIGERATED BAKERY CASE

SIS#

Product Specifications

DIMENSION: xx"/(mm)

DIMENSION TOLERANCE +/- 0.19 (4.8)



MODEL	DIMENSIONS*				SHIPPING WHT		CAPACITY (BAKERY PANS)	REMOTE 120/60/1
	L	D	H1	UNITS	LBS	KILO		
SN48	48.25	37.75	48.5	in.	600	272	4 (18" X 26") 8 (12" X 18") 2 (9" X 26")	1.0 AMPS
	1226	959	1232	mm.				
SN59	59.25	37.75	48.5	in.	700	318	10 (18" X 26")	1.5 AMPS
	1505	959	1232	mm.				
SN77	77.25	37.75	48.5	in.	865	392	8 (18" X 26") 12 (12" X 18")	2.0 AMPS
	1962	959	1232	mm.				

- If a GFCI circuit is required, a GFCI Breaker Must be used instead of GFCI receptacle.
- Due to continuing engineering improvements, specifications are subject to change without notice.



The Signature of Quality®

FEDERAL INDUSTRIES

A Standex Company

215 Federal Avenue Belleville, Wisconsin 53508-9201

Phone: 800-356-4206

Fax: 608-424-3234

Email: Geninfo@Federalind.com

Website: Federalind.com