



Direct Steam Kettle model FT

Description

Kettle shall be Groen Model FT (specify 40, 60, 80, 100, 125 or 150-gallon) stainless steel, 2/3 jacketed unit operating from direct steam per Bulletin 1Bh and as follows:

Construction

Kettle shall be of 18.8 Type 304 stainless steel, solid one-piece welded construction. Unit shall be provided with a heavy, durable bar rim with a continuous seal weld on the underside to ensure maximum durability and sanitation. Unit provided with faucet bracket as standard.

Finish

Interior of kettle shall be polished to a 180 emery grit finish. Exterior of kettle shall be finished to a bright high buff finish, ensuring maximum ease in cleaning and maintaining brilliant appearance.

ASME Code

Unit shall be ASME shop inspected, stamped and registered with the National Board for operation up to a maximum working pressure of 25 PSI.

Sanitation

Unit shall be designed and constructed to meet NSF and known health department and sanitation codes, and be NSF listed.

Drawoff

Unit shall have a 2" sanitary tangent drawoff which is a 316 stainless steel compression disc drain valve, for easy disassembly without tools. Larger 3" drawoffs available. The drain outlet shall be equipped with a removable 1/4" perforated stainless steel strainer.

Cover

Cover shall be one piece stainless steel dome shaped cover, hinged and counterbalanced, with Model 51 spring assisted cover actuator.

Steam Pressure

Kettle shall operate dependably at any steam pressure between 5 and 25 PSI. Higher working pressure available.

Mounting

Unit shall be mounted on an all stainless steel, tubular legs, continuously welded to kettle, with stainless steel adjustable floor flanges.

Installation

Remote steam source required. Steam trap assembly is required and not provided unless ordered as an option. See dimension L on other side for steam inlet size and number.

Model FT shown



Options/Accessories

- Basket inserts (TRI-BC)
- Water fill faucets
- Higher working pressure
- 3" tangent drawoff
- 3" plug type drawoff valve
- 316 stainless steel interior
- Cold water cooling
- Steam trap assemblies
- Kettle brush kit

Origin of Manufacture

Kettle shall be designed and manufactured in the United States.

Stainless Steel 2/3 Steam Jacketed Kettle

Floor Mounted Stationary Direct Steam 40 to 150-Gallon Capacities

Short Form

Groen Model FT (Specify gallons) stainless steel, 2/3 jacketed, direct steam stationary kettle, per Bulletin 1Bh. Solid one piece welded construction, with heavy duty reinforced bar rim. 2" sanitary tangent drawoff standard. Standard units fitted with faucet bracket and one piece dome cover with spring assisted cover actuator. NSF listed, ASME code constructed for 25 PSI. Unit to be mounted on stainless steel tubular legs, continuously welded to kettle, with stainless steel adjustable floor flanges. Made in USA.



Applications

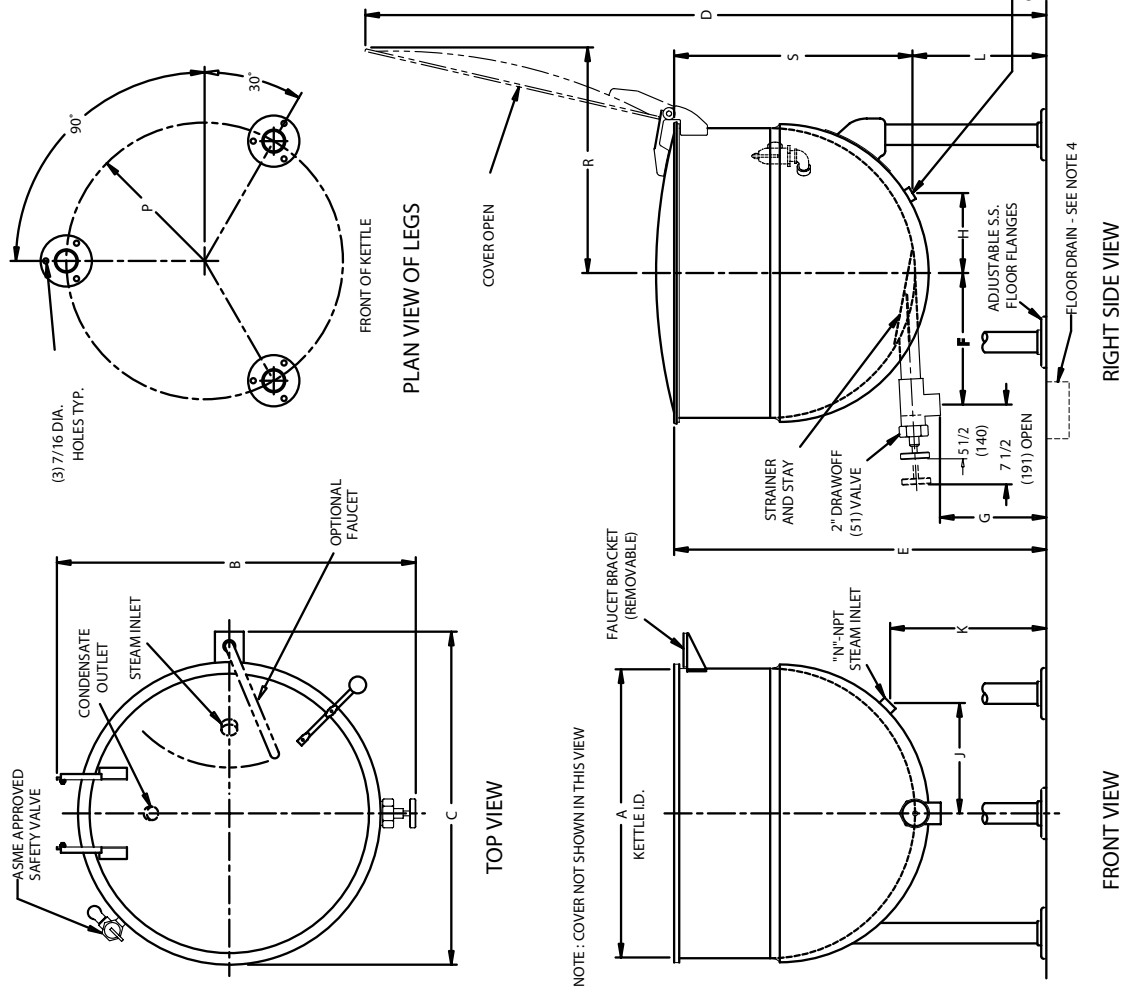
- Wet roasting meats
- Soups
- Stews
- Stocks
- Poultry
- Sauces
- Pie Fillings
- Vegetables
- Pasta
- Rice
- Gravies

TABLE OF DIMENSIONS

CAP. GAL.	20			40			60			80			100		
	DIM.	INCH	MM	DIM.	INCH	MM	DIM.	INCH	MM	DIM.	INCH	MM	DIM.	INCH	MM
A	20	508	26	660	30	762	32	813	36	914	36	914	40	1016	40
B	27 1/2	699	33	838	37	940	38	965	40	1016	40	1016	40	1016	40
C	24	610	30	762	34	864	36	914	40	1016	40	1016	40	1016	40
D	59	1499	65	1651	67	1702	73	1854	77	1956	77	1956	80	2032	80
E	36	914	36	914	39	991	43	1092	44	1118	44	1118	44	1118	44
F	12	305	14 1/2	368	15	381	15	381	15	381	15	381	15	381	15
G	15 3/4	400	11 3/4	299	11 3/4	299	11 3/4	299	11 3/4	299	11 3/4	299	11 3/4	299	11 3/4
H	5 1/2	140	7	178	8	203	8	203	8	203	8	203	8	203	8
J	8	203	10 1/4	260	11 1/2	292	12 1/4	311	13 1/2	343	13 1/2	343	14	356	14
K	18 7/8	479	15 3/4	400	16 1/4	413	16 1/2	419	17 1/2	445	17 1/2	445	18	457	18
L	17	432	14	356	13 1/2	343	14	356	14	356	14	356	14	356	14
M	1 1/2	38	1 1/2	38	1 1/2	38	1 1/2	38	1 1/2	38	1 1/2	38	1 1/2	38	1 1/2
N	1 1/2	38	3/4	19	3/4	19	3/4	19	3/4	19	3/4	19	3/4	19	3/4
P	9 1/4	235	11 3/4	299	13 1/2	343	14 1/4	362	15 7/8	403	15 7/8	403	16	406	16
R	18	457	25	635	25	635	25	635	25	635	25	635	25	635	25
S	18 1/2	470	22	559	25	635	29	734	30	762	30	762	30	762	30
T	14	356	16	406	17	432	17	432	17	432	17	432	17	432	17
U	14 3/4	375	10 3/4	273	10 3/4	273	10 3/4	273	10 3/4	273	10 3/4	273	10 3/4	273	10 3/4

NOTES:

1. KETTLE MUST BE SECURELY ANCHORED TO FLOOR.
2. FLOOR FLANGES ARE THREADED AND HEIGHT ADJUSTABLE.
3. SANITARY (1) PIECE DOME COVER SHOWN - FURNISHED ON 20 & 40 GALLON SIZES.
4. MODEL # 51 COUNTER BALANCED COVER FURNISHED ON KETTLES 60 GALLONS AND OVER.
5. POSITION CENTER OF TANGENT DRAWWOFF SPOUT 4"-5" OVER FLOOR DRAIN FOR PROPER DRAINAGE.
6. DIMENSIONS IN BRACKETS () ARE MM.



OPTIONAL 3" TANGENT DRAWWOFF

