



Profit from the Eagle Advantage®

Specification Sheet

Short Form Specifications

Eagle 1800 Series Ice Chests, model _____.
Top, front, backsplash, ice bin and sliding cover to be heavy gauge type 304 stainless steel. Fabricated ice bin is fully insulated with 1½" drain. 1½" O.D. galvanized tubular legs with adjustable bullet feet.



#B2IC-18 ice chest

Options / Accessories

- Stainless steel leg kits (see below)
- Speed rails

Optional Stainless Steel Leg Kits for Ice Chests

add suffix #	description
-SL	stainless steel leg assemblies
-SLF	stainless steel leg assemblies & stainless steel feet
-SLG	stainless steel leg assemblies & stainless steel gussets
-SLGF	stainless steel leg assemblies, stainless steel feet & gussets

EAGLE GROUP
 100 Industrial Boulevard, Clayton, DE 19938-8903 USA
 Phone: 302-653-3000 • Fax: 302-653-2065
 www.eaglegrp.com

Foodservice Division: Phone 800-441-8440
MHC/Retail Display Divisions: Phone 800-637-5100

For custom configuration or fabrication needs, contact our **SpecFAB® Division**.
 Phone: 302-653-3000 • Fax: 302-653-3091 • e-mail: specfab@eaglegrp.com

Item No.: _____
 Project No.: _____
 S.I.S. No.: _____

1800 Series Ice Chests

MODELS:

- | | | |
|---------------------------------------|---------------------------------------|---------------------------------------|
| <input type="checkbox"/> B12IC-18 | <input type="checkbox"/> B2IC-12D-18 | <input type="checkbox"/> B36IC-16D-18 |
| <input type="checkbox"/> B12IC-12D-18 | <input type="checkbox"/> B2IC-16D-18 | <input type="checkbox"/> B42IC-18 |
| <input type="checkbox"/> B12IC-16D-18 | <input type="checkbox"/> B30IC-18 | <input type="checkbox"/> B42IC-12D-18 |
| <input type="checkbox"/> B18IC-18 | <input type="checkbox"/> B30IC-12D-18 | <input type="checkbox"/> B42IC-16D-18 |
| <input type="checkbox"/> B18IC-12D-18 | <input type="checkbox"/> B30IC-16D-18 | <input type="checkbox"/> B48IC-18 |
| <input type="checkbox"/> B18IC-16D-18 | <input type="checkbox"/> B36IC-18 | <input type="checkbox"/> B48IC-12D-18 |
| <input type="checkbox"/> B2IC-18 | <input type="checkbox"/> B36IC-12D-18 | <input type="checkbox"/> B48IC-16D-18 |

Design and Construction Features

- Bullnose front edge.
- Stainless steel type 304 ice bin, backsplash, front, and sliding ice cover.
- Galvanized ends and back panel.
- 1½" (38mm) drain centered, and complete with fiberglass insulation.
- Ice bins are fabricated.
- High-impact, corrosion-resistant, fully-adjustable bullet feet.
- Standard models include 8", 12" and 16" (203, 305 and 406mm)-depth units.

AUTOQUOTES

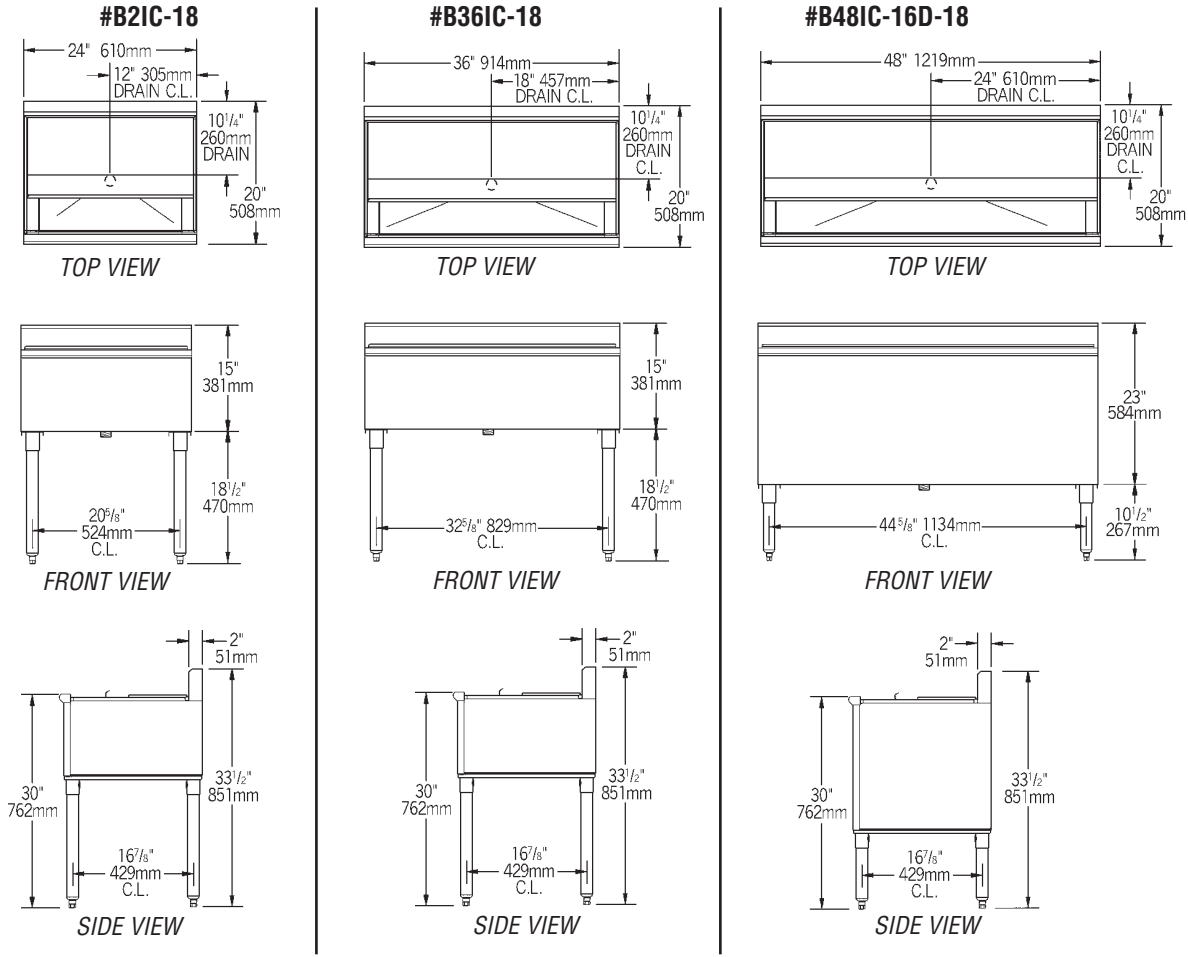
Certifications / Approvals





Item No.: _____
 Project No.: _____
 S.I.S. No.: _____

1800 Series Ice Chests



model #	width x length		weight		ice bin depth		ice capacity	
	in.	mm	lbs.	kg	in.	mm	lbs.	kg
B12IC-18	20" x 12"	495 x 305	42	19.1	8"	203	25	11.3
B12IC-12D-18	20" x 12"	495 x 305	44	20.0	12"	305	37	16.8
B12IC-16D-18	20" x 12"	495 x 305	46	20.9	16"	406	49	22.2
B18IC-18	20" x 18"	495 x 457	48	21.8	8"	203	44	20.0
B18IC-12D-18	20" x 18"	495 x 457	52	23.6	12"	305	65	29.5
B18IC-16D-18	20" x 18"	495 x 457	58	26.3	16"	406	87	39.5
B21C-18	20" x 24"	495 x 610	52	23.6	8"	203	63	28.6
B21C-12D-18	20" x 24"	495 x 610	61	27.7	12"	305	94	42.6
B21C-16D-18	20" x 24"	495 x 610	66	29.9	16"	406	125	56.7
B30IC-18	20" x 30"	495 x 762	60	27.2	8"	203	82	37.2
B30IC-12D-18	20" x 30"	495 x 762	74	33.6	12"	305	123	55.8
B30IC-16D-18	20" x 30"	495 x 762	87	39.5	16"	406	163	73.9
B36IC-18	20" x 36"	495 x 914	74	33.6	8"	203	101	45.8
B36IC-12D-18	20" x 36"	495 x 914	95	43.1	12"	305	151	68.5
B36IC-16D-18	20" x 36"	495 x 914	101	45.8	16"	406	201	91.2
B42IC-18	20" x 42"	495 x 1067	71	32.7	8"	203	120	54.4
B42IC-12D-18	20" x 42"	495 x 1067	98	44.5	12"	305	180	81.6
B42IC-16D-18	20" x 42"	495 x 1067	104	47.2	16"	406	239	108.4
B48IC-18	20" x 48"	495 x 1219	82	37.2	8"	203	139	63.1
B48IC-12D-18	20" x 48"	495 x 1219	101	45.8	12"	305	208	94.3
B48IC-16D-18	20" x 48"	495 x 1219	113	51.3	16"	406	278	126.1

EAGLE GROUP
 100 Industrial Boulevard, Clayton, DE 19938-8903 USA
 Phone: 302-653-3000 • Fax: 302-653-2065
 www.eaglegrp.com

Foodservice Division: Phone 800-441-8440
 MHC/Retail Display Divisions: Phone 800-637-5100

Printed in U.S.A.
 ©2012 by Eagle Group
 Rev. 07/12

Spec sheets available for viewing, printing or downloading from our online literature library at www.eaglegrp.com

Although every attempt has been made to ensure the accuracy of the information provided, we cannot be held responsible for typographical or printing errors. Information and specifications are subject to change without notice. Please confirm at time of order.