



Profit from the Eagle Advantage®

# Specification Sheet

## Short Form Specifications

Eagle Snap-n-Slide® Wall Shelf with Rolled Front Edge, model \_\_\_\_\_. Unit constructed of 16/430, 16/304, or 14/304 stainless steel. Front rolled edge with 1½" upturn on rear and ends. Stainless steel wall brackets are shipped loose for mounting directly to wall studs.

Eagle Snap-n-Slide® Wall Shelf with "V" Marine Front Edge, model \_\_\_\_\_. Unit constructed of 16/430, 16/304, 14/304, or 14/316 stainless steel. "V" marine front edge with 1½" upturn on rear and ends. Stainless steel wall brackets are shipped loose for mounting directly to wall studs.



#SWS1236-16/4 wall shelf

## Options / Accessories

Solid Dividers – 16 gauge stainless steel, 4" (76mm)-high

Item No.:	_____
Project No.:	_____
S.I.S. No.:	_____

## Snap-n-Slide® Wall Shelves

### MODELS:

- |                                    |                                    |   |
|------------------------------------|------------------------------------|---|
| <input type="checkbox"/> SWS1224-* | <input type="checkbox"/> SWS1524-* | <input type="checkbox"/> SWS1524-*-VMAR |
| <input type="checkbox"/> SWS1236-* | <input type="checkbox"/> SWS1536-* | <input type="checkbox"/> SWS1536-*-VMAR |
| <input type="checkbox"/> SWS1248-* | <input type="checkbox"/> SWS1548-* | <input type="checkbox"/> SWS1548-*-VMAR |
| <input type="checkbox"/> SWS1260-* | <input type="checkbox"/> SWS1560-* | <input type="checkbox"/> SWS1560-*-VMAR |
| <input type="checkbox"/> SWS1272-* | <input type="checkbox"/> SWS1572-* | <input type="checkbox"/> SWS1572-*-VMAR |

\* See charts on back page for complete model numbers.

### Design and Construction Features

- Brackets can be mounted to studs—no wall backing required.
- Heavy gauge stainless steel construction.
- 1½" (38mm) upturn on rear and ends of shelf.
- Models available with 1½" (38mm) rolled front edge or 1¾" (45mm) "V" marine edge on shelf.
- 12" and 15" (305 and 381mm) widths available.
- Lengths available range from 24" to 72" (610 to 1829mm).
- No tools required to attach shelf to wall brackets.

**EAGLE GROUP**  
100 Industrial Boulevard, Clayton, DE 19938-8903 USA  
Phone: 302-653-3000 • Fax: 302-653-2065  
www.eaglegrp.com

**Foodservice Division: Phone 800-441-8440**  
**MHC/Retail Display Divisions: Phone 800-637-5100**

For custom configuration or fabrication needs, contact our **SpecFAB® Division**.  
Phone: 302-653-3000 • Fax: 302-653-3091 • e-mail: specfab@eaglegrp.com



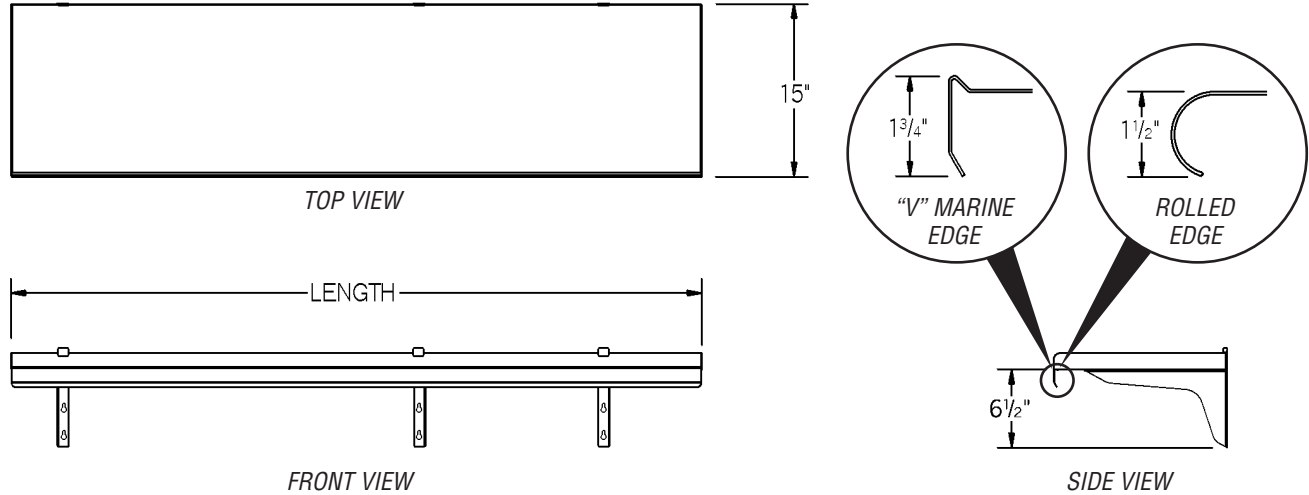
EG02.01 Rev. 09/09

**Spec sheets available for viewing, printing or downloading from our online literature library at [www.eaglegrp.com](http://www.eaglegrp.com)**



Item No.: \_\_\_\_\_  
 Project No.: \_\_\_\_\_  
 S.I.S. No.: \_\_\_\_\_

## Snap-n-Slide® Wall Shelves



(15" wide shelf shown)

### SHELVES WITH ROLLED FRONT EDGE

12" (305mm)-WIDE SHELVES				15" (381mm)-WIDE SHELVES				shelf length	weight capacity
16 GAUGE TYPE 430 model #	16 GAUGE TYPE 304 model #	14 GAUGE TYPE 304 model #	weight lbs. kg	16 GAUGE TYPE 430 model #	16 GAUGE TYPE 304 model #	14 GAUGE TYPE 304 model #	weight lbs. kg		
SWS1224-16/4	SWS1224-16/3	SWS1224-14/3	12 5.4	SWS1524-16/4	SWS1524-16/3	SWS1524-14/3	15 6.8	24" 610	90 40.8
SWS1236-16/4	SWS1236-16/3	SWS1236-14/3	14 6.4	SWS1536-16/4	SWS1536-16/3	SWS1536-14/3	17 7.7	36" 914	135 61.2
SWS1248-16/4	SWS1248-16/3	SWS1248-14/3	17 7.7	SWS1548-16/4	SWS1548-16/3	SWS1548-14/3	21 9.5	48" 1219	180 81.6
SWS1260-16/4	SWS1260-16/3	SWS1260-14/3	23 10.4	SWS1560-16/4	SWS1560-16/3	SWS1560-14/3	28 12.7	60" 1524	225 102.1
SWS1272-16/4	SWS1272-16/3	SWS1272-14/3	25 11.3	SWS1572-16/4	SWS1572-16/3	SWS1572-14/3	30 13.6	72" 1829	270 122.5

### 15" (381mm)-WIDE SHELVES WITH "V" MARINE FRONT EDGE

14 GAUGE TYPE 304 model #	14 GAUGE TYPE 316 model #	16 GAUGE TYPE 430 model #	16 GAUGE TYPE 304 model #	weight lbs. kg	shelf length in. mm	weight capacity lbs. kg
SWS1524-14/304-VMAR	SWS1524-14/316-VMAR	SWS1524-16/430-VMAR	SWS1524-16/304-VMAR	15 6.8	24" 610	90 40.8
SWS1536-14/304-VMAR	SWS1536-14/316-VMAR	SWS1536-16/430-VMAR	SWS1536-16/304-VMAR	17 7.7	36" 915	135 61.2
SWS1548-14/304-VMAR	SWS1548-14/316-VMAR	SWS1548-16/430-VMAR	SWS1548-16/304-VMAR	21 9.5	48" 1219	180 81.6
SWS1560-14/304-VMAR	SWS1560-14/316-VMAR	SWS1560-16/430-VMAR	SWS1560-16/304-VMAR	28 12.7	60" 1524	225 102.1
SWS1572-14/304-VMAR	SWS1572-14/316-VMAR	SWS1572-16/430-VMAR	SWS1572-16/304-VMAR	30 13.6	72" 1829	270 122.5

**EAGLE GROUP**  
 100 Industrial Boulevard, Clayton, DE 19938-8903 USA  
 Phone: 302-653-3000 • Fax: 302-653-2065  
 www.eaglegrp.com

Foodservice Division: Phone 800-441-8440  
 MHC/Retail Display Divisions: Phone 800-637-5100

Printed in U.S.A.  
 ©2009 by Eagle Group  
 Rev. 09/09

Spec sheets available for viewing, printing or downloading from our online literature library at [www.eaglegrp.com](http://www.eaglegrp.com)

Although every attempt has been made to ensure the accuracy of the information provided, we cannot be held responsible for typographical or printing errors. Information and specifications are subject to change without notice. Please confirm at time of order.