



ELECTRIC STEAM TRI-LEG KETTLE



- EL-20F
- EL-25F
- EL-30F
- EL-40F
- EL-60F
- EL-80F
- EL-100F

OPERATION SHALL BE BY:

Electrically, self-generating closed steam system equipped for operation on:

- 208 VAC, 1 phase, 50/60 Hz (12 to 18 kW only)
- 208 VAC, 3 phase, 50/60 Hz
- 220 VAC, 1 phase, 50/60 Hz (12 to 18 kW only)
- 220 VAC, 3 phase, 50/60 Hz
- 240 VAC, 1 phase, 50/60 Hz (12 to 18 kW only)
- 240 VAC, 3 phase, 50/60 Hz
- 380/220 VAC, 3 phase, 50/60 Hz 4 wire
- 415/240 VAC, 3 phase, 50/60 Hz 4 wire

OPTIONS & ACCESSORIES AT ADDITIONAL COST

- | | | |
|--|---|---|
| <input type="checkbox"/> 3" (76 mm) draw-off valve (TVS-3) with perforated strainer (TPS-) | <input type="checkbox"/> Two piece hinged stainless steel cover (2PHC- 40 gallons and up) | <input type="checkbox"/> Triple basket assembly (TBA-) |
| <input type="checkbox"/> 24 kw on 40, 60, 80 gallon | <input type="checkbox"/> Etched gallon markings (GM-) | <input type="checkbox"/> Solid stainless steel disc for draw-off valve (TSS-) |
| <input type="checkbox"/> 33 kw on 60, 80, 100 gallon | <input type="checkbox"/> Etched litre markings(LM-) | <input type="checkbox"/> Graduated measuring strip (CMS-) |
| <input type="checkbox"/> 380 VAC, 3 Phase, 50/60 Hz | <input type="checkbox"/> Correctional package | <input type="checkbox"/> Strainer hook (SH) |
| <input type="checkbox"/> 415 VAC, 3 Phase, 50/60 Hz | <input type="checkbox"/> Solid state thermostat | <input type="checkbox"/> Draw-off valve hose kit (DVHK-) |
| <input type="checkbox"/> 480 VAC, 3 Phase, 50/60 Hz | <input type="checkbox"/> Single pantry faucet with swing spout (SF-18) | <input type="checkbox"/> Calibrated thermostat dial "F" |
| <input type="checkbox"/> 600 VAC, 3 Phase, 50/60 Hz | <input type="checkbox"/> Double pantry faucet with swing spout (DF-18) | <input type="checkbox"/> Calibrated thermostat dial "C" |
| | | <input type="checkbox"/> Kettle heat shield (KHS-) |

STANDARD CONSTRUCTION SPECIFICATIONS

Shall be a Crown model EL-20, EL-25, EL-30, EL-40, EL-60, EL-80 or EL-100, self-generating, electric, tri-leg kettle, ASME Code stamped, National Board Registered, c-CSA-us and NSF certified.

A double wall kettle interior shall form a steam jacket around the lower 2/3 of the kettle.

The jacket enclosure shall contain distilled water which is factory sealed.

The bottom of the kettle shall be of hemispherical design for superior heat circulation.

Kettle will be mounted on 3 stainless steel tubular legs fitted with a 4-hole adjustable foot for securing unit to the floor.

Construction shall be all welded #4 finish stainless steel, type 304.

The interior liner shall be standard 316 for high acid content cooking.

The controls shall be integrally mounted and shall include a power switch, thermostat, pilot light, low water light, vacuum/pressure gauge, safety relief valve and low water shut off.

Faucet bracket standard.

The kettle shall be standard with removable elements.

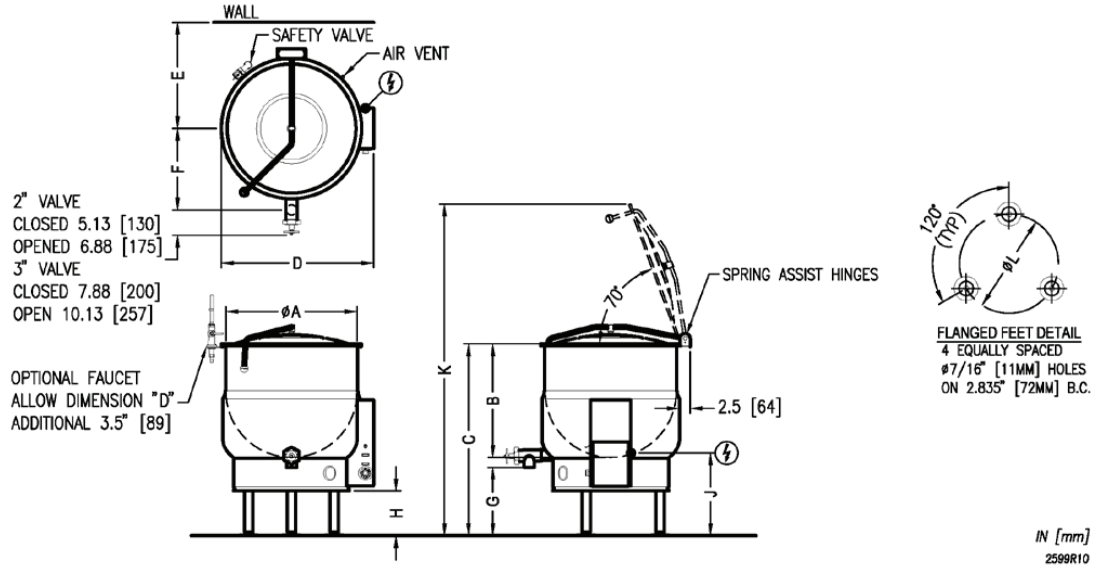
Convenience features shall include a 2" (50 mm) sanitary draw-off valve with perforated strainer and spring assist hinged stainless steel domed cover.

The kettle shall operate in a temperature range of 165°F to 285°F (74°C to 140°C) at a maximum pressure of 50 psi (345 kPa). Includes faucet bracket.



Approval Notes: _____

EL



SERVICE CONNECTIONS

⚡ – ELECTRICAL CONNECTION : to be specified on data plate

DIMENSIONS

MODEL	CAPACITY	UNITS	A	B	C	D	E	F(2")	F(3")	G(2")	G(3")	H	J	K	L
EL-20	20 gallons (76 liters)	in (mm)	21" (533)	18" (457)	38" (965)	25.25" (641)	18.5" (470)	14.75" (375)	15.5" (394)	18" (457)	17.5" (445)	13.38" (340)	20.75" (527)	60.5" (1537)	16.5" (419)
EL-25	25 gallons (95 liters)	in (mm)	21" (533)	21.25" (540)	37.25" (946)	25.25" (641)	18.5" (470)	14.75" (375)	15.5" (394)	14.12" (358)	13.13" (333)	9.5" (241)	17" (432)	58.75" (1492)	16.5" (419)
EL-30	30 gallons (114 liters)	in (mm)	24" (610)	20" (508)	38" (965)	28.25" (718)	20" (508)	16" (406)	16.5" (419)	15.75" (400)	15" (381)	11.25" (286)	18.88" (479)	63.5" (1613)	18" (457)
EL-40	40 gallons (152 liters)	in (mm)	26" (660)	22.5" (572)	38" (965)	30.25" (768)	21" (533)	17" (432)	18" (457)	13.5" (343)	12.5" (318)	8.88" (225)	16.38" (416)	65" (1651)	19.63" (498)
EL-60	60 gallons (227 liters)	in (mm)	29.5" (749)	26" (660)	42" (1067)	33.75" (857)	20.63" (524)	18" (457)	19.25" (489)	13.88" (352)	12.88" (327)	9.63" (244)	17.13" (435)	75" (1905)	22.88" (581)
EL-80	80 gallons (303 liters)	in (mm)	33" (838)	28" (711)	45" (1143)	37" (940)	22.38" (568)	19.5" (495)	20.5" (521)	14.88" (378)	13.88" (352)	11.25" (286)	18.63" (473)	81" (2058)	26" (660)
EL-100	100 gallons (379 liters)	in (mm)	35.5" (902)	30" (762)	48" (1219)	40" (1016)	23.63" (600)	21.5" (546)	22.5" (572)	15" (381)	14.5" (368)	13" (330)	20.5" (521)	87" (2210)	29.13" (740)

ELECTRICAL CHARACTERISTIC

AVAILABLE kW			AMPS PER LINE								
MODEL	STANDARD	OPTIONAL	kW	PHASE	208V	220V	240V	380V	415V	480V	600V
EL-20, 25	12	N/A	12	1	57.7	54.5	50.0	N/A	N/A	N/A	N/A
EL-30	15	N/A		3	33.3	31.5	28.9	18.2	16.7	14.4	11.6
EL-40	18	24	15	1	72.1	68.2	62.5	N/A	N/A	N/A	N/A
EL-60	18	24 or 33		3	41.6	39.4	36.1	22.8	20.9	18.0	14.5
EL-80	18	24 or 33	18	1	86.5	81.8	75.0	N/A	N/A	N/A	N/A
EL-100	24	33		3	50.0	47.2	43.3	27.3	25.0	21.7	17.3
			24	3	66.6	63.0	57.7	36.5	33.4	28.9	23.1
				3	91.6	86.6	79.4	50.1	45.9	39.7	31.8

SPECIFICATIONS

MODEL	kW	CAPACITY		MODEL	SHIPPING WEIGHT	MINIMUM CLEARANCE	
EL-20	12	20 Gallon	76 Liter	EL-20	196 lbs. [89 kg]	SIDES BACK	3" [76 mm]
EL-25	12	25 Gallon	95 Liter	EL-25	200 lbs. [91 kg]		
EL-30	15	30 Gallon	114 Liter	EL-30	226 lbs. [103 kg]		
EL-40	18	40 Gallon	152 Liter	EL-40	270 lbs. [123 kg]		
EL-60	18	60 Gallon	227 Liter	EL-60	390 lbs. [177 kg]		
EL-80	18	80 Gallon	303 Liter	EL-80	445 lbs. [202 kg]		
EL-100	24	100 Gallon	379 Liter	EL-100	486 lbs. [221 kg]		

**INTENDED FOR COMMERCIAL USE ONLY.
NOT FOR HOUSEHOLD USE.**

