



# T&S BRASS AND BRONZE WORKS, INC.

2 Saddleback Cove / P.O. Box 1088  
Travelers Rest, SC 29690



REG. #A2601  
ISO #9001

Model No.

**B-0113-B**

Item No.

Travelers Rest, SC: 800-476-4103 Simi Valley, CA: 800-423-0150 Fax: 864-834-3518 www.tsbrass.com

This Space for Architect/Engineer Approval

Job Name \_\_\_\_\_ Date \_\_\_\_\_

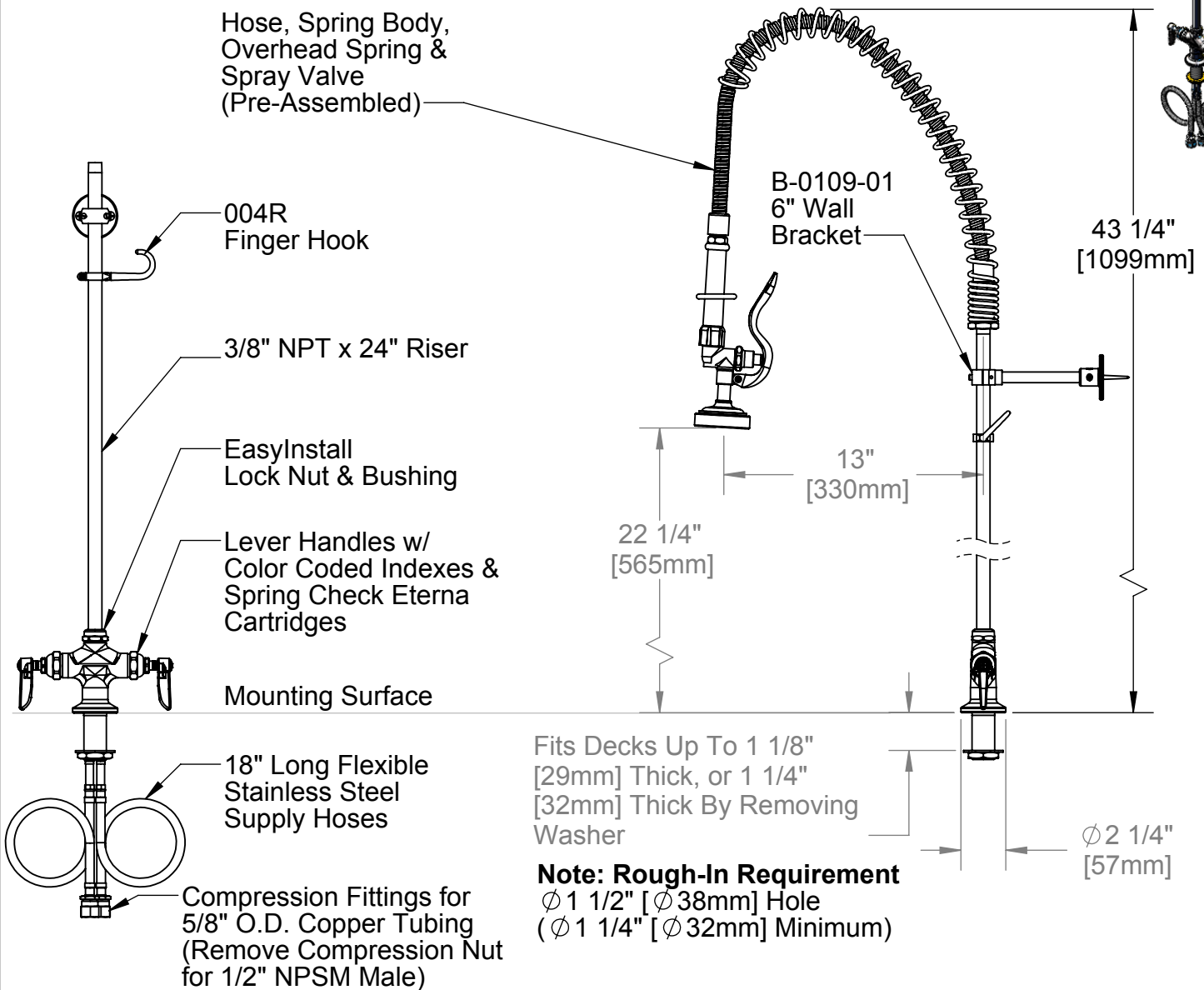
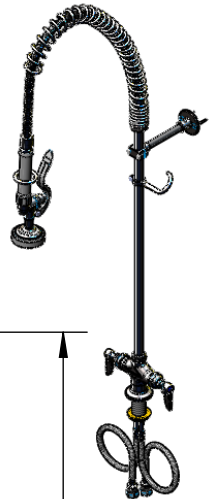
Model Specified \_\_\_\_\_ Quantity \_\_\_\_\_

Customer/Wholesaler \_\_\_\_\_

Contractor \_\_\_\_\_

Architect/Engineer \_\_\_\_\_

## EPAct 2005 Compliant



### Product Specifications:

EasyInstall Pre-Rinse Unit:  
Single Deck Mount Base Mixing Faucet, Flexible Supply Hoses,  
24" Riser, Overhead Spring, 44" Flex Hose, B-0107 Spray Valve  
& 6" Wall Bracket

Drawn KJG	Checked DHL	Approved JHB
Scale: 1:8	Date: 3/20/08	



# T&S BRASS AND BRONZE WORKS, INC.

2 Saddleback Cove / P.O. Box 1088  
Travelers Rest, SC 29690



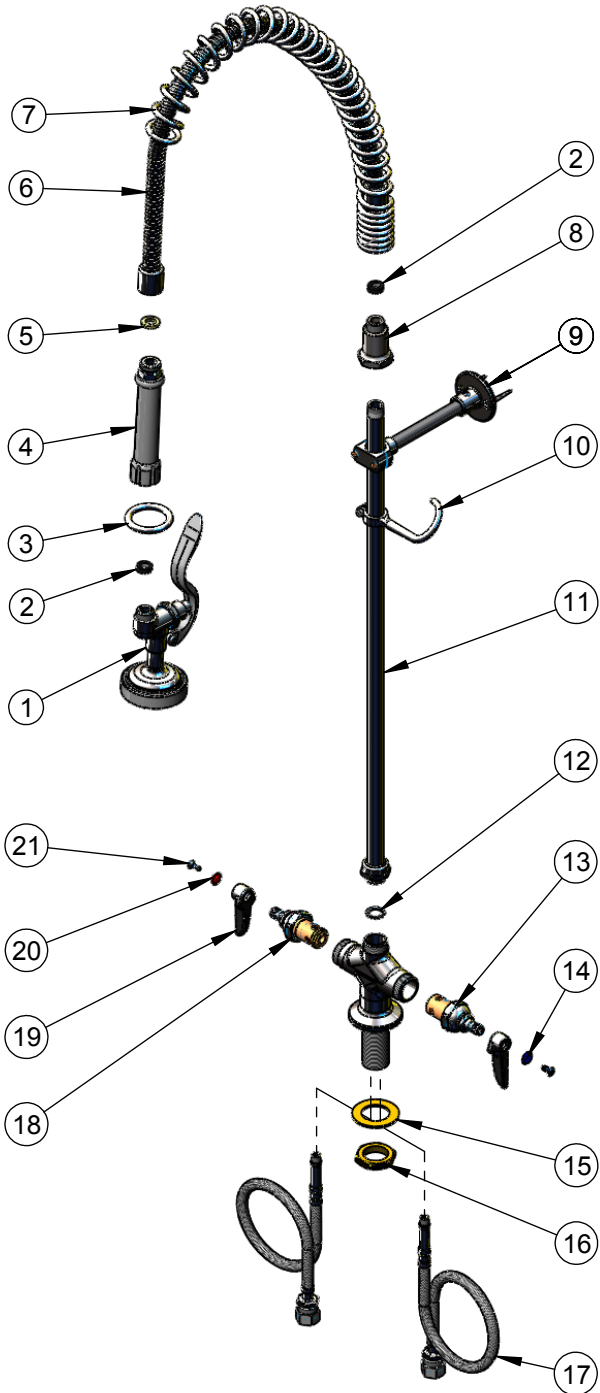
REG. #A2601  
ISO #9001

Model No.

**B-0113-B**

Item No.

Travelers Rest, SC: 800-476-4103 Simi Valley, CA: 800-423-0150 Fax: 864-834-3518 www.tsbrass.com



ITEM NO.	SALES NO.	DESCRIPTION
1	B-0107	Spray Valve Asm
2	010476-45	#27 Washer
3	000907-45	Spray Valve Hold Down Ring
4	002987-40	Grip Handle Assembly
5	010475-45	Washer, B-0100 Hose Barrel
6	B-0044-H2A	44" Flex Hose Assembly, Less Handle
7	000888-45	EasyInstall Overhead Spring
8	000821-40	Spring Body
9	B-0109-01	6" Wall Bracket Assembly
10	004R	Finger Hook Assembly
11	000372-40	3/8" NPT x 24" Long Riser
12	014200-45	Star Washer, Anti-Rotation
13	002711-40	Spindle Asm, Eterna SC Cold
14	001660-45	Blue Index-CW
15	007365-45	Lock Washer
16	000965-45	Lock Nut
17	012534-45	Flexible Connector Hose
18	002712-40	Spindle Asm, Eterna SC Hot
19	001638-45	Lever Handle
20	001661-45	Red Index-HW
21	000922-45	Lever Handle Screw

Product Specifications:

**EasyInstall Pre-Rinse Unit:**  
Single Deck Mount Base Mixing Faucet, Flexible Supply Hoses,  
24" Riser, Overhead Spring, 44" Flex Hose, B-0107 Spray Valve  
& 6" Wall Bracket

Drawn KJG	Checked DHL	Approved JHB
Scale: NTS		Date: 3/20/08