



T&S BRASS AND BRONZE WORKS, INC.

2 Saddleback Cove / P.O. Box 1088
Travelers Rest, SC 29690



REG. #A2601
ISO #9001

Model No.

B-0605

Item No.

Travelers Rest, SC: 800-476-4103 Simi Valley, CA: 800-423-0150 Fax: 864-834-3518 www.tsbrass.com

This Space for Architect/Engineer Approval

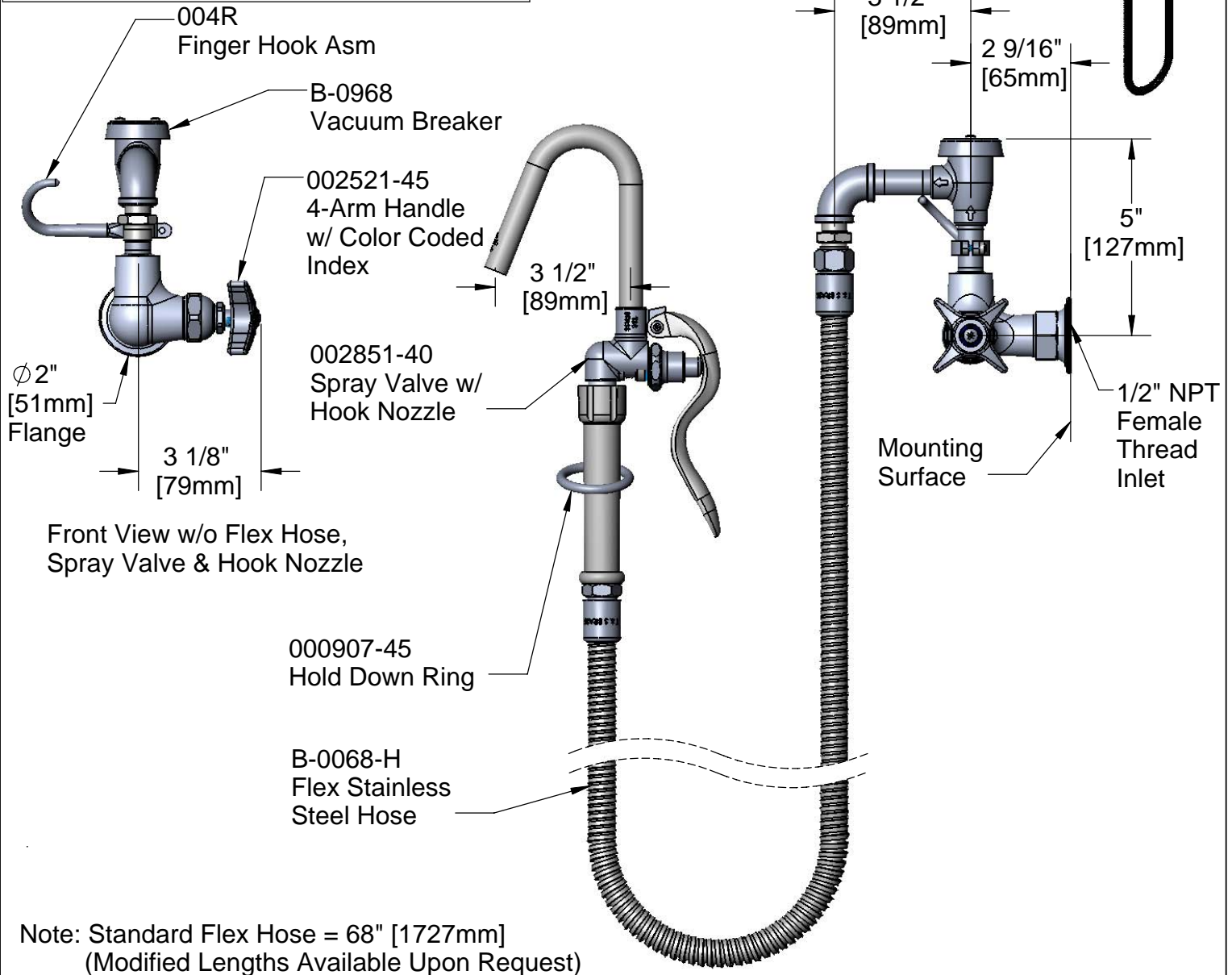
Job Name _____ Date _____

Model Specified _____ Quantity _____

Customer/Wholesaler _____

Contractor _____

Architect/Engineer _____



Product Specifications: Kettle & Pot Filler Assembly w/ B-0068-H Flex Hose, Wall Mount Faucet, Vacuum Breaker, 4-Arm Handle & Spray Valve w/ Hook Nozzle	Drawn DMH	Checked KJG	Approved JHB
	Scale: 1:4		Date: 01/13/09



T&S BRASS AND BRONZE WORKS, INC.

2 Saddleback Cove / P.O. Box 1088
Travelers Rest, SC 29690



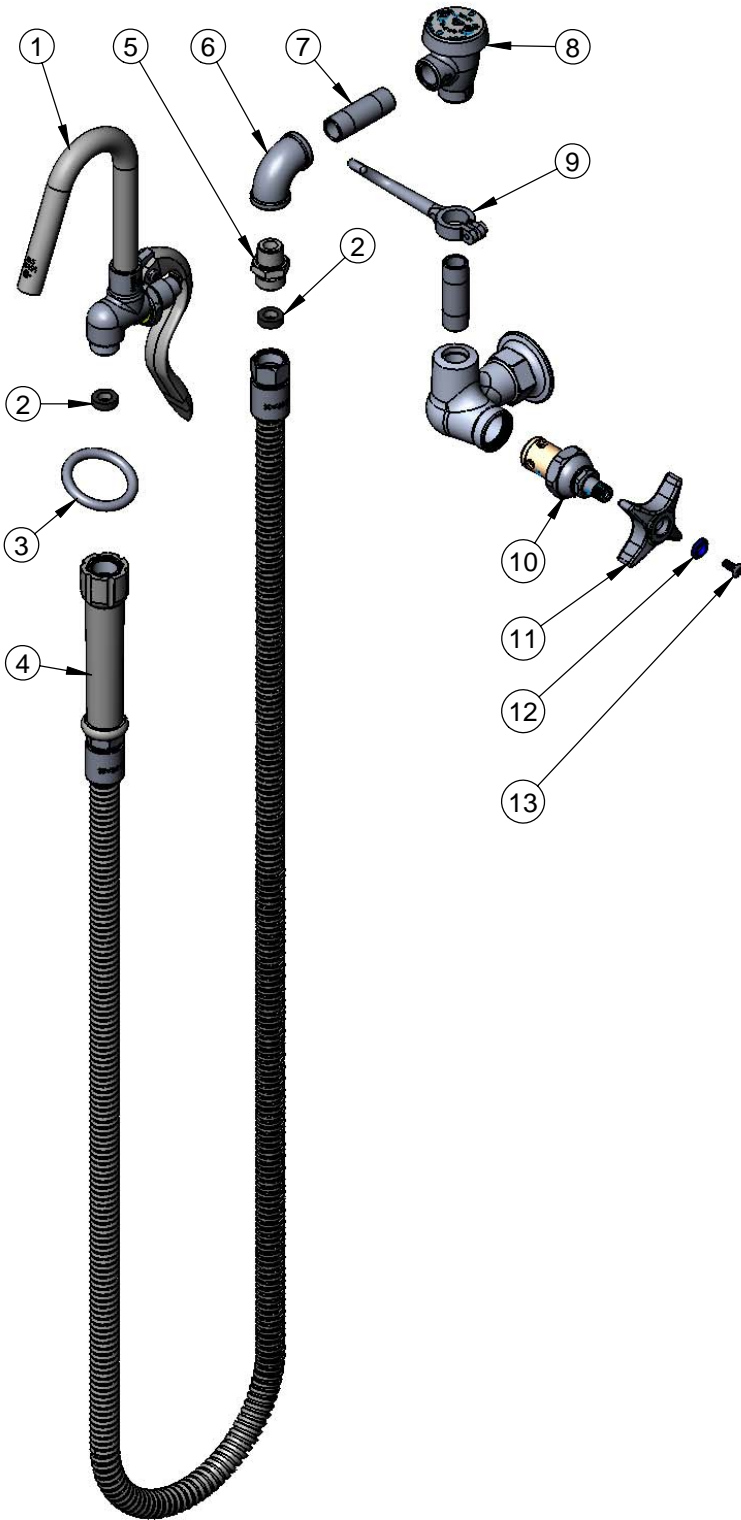
REG. #A2601
ISO #9001

Model No.

B-0605

Item No.

Travelers Rest, SC: 800-476-4103 Simi Valley, CA: 800-423-0150 Fax: 864-834-3518 www.tsbrass.com



ITEM NO.	SALES NO.	DESCRIPTION
1	002851-40	B-187 Spray Valve & Hook Nozzle Asm
2	010476-45	#27 Washer
3	000907-45	Spray Valve Hold Down Ring
4	B-0068H	Flex Stainless Steel Hose
5	000545-25	Adapter, 3/8" NPT x 3/4"-14 UNS
6	001355-40	Elbow, 3/8 NPT
7	000357-40	Nipple, 3/8" x 2"
8	B-0968	Vacuum Breaker Asm, 3/8"
9	004R	Finger Hook Assembly
10	005960-40	Spindle Asm, Eterna "Hot"
11	002521-45	4-Arm Handle
12	001660-45	Blue Index-CW
13	000922-45	Lever Handle Screw

Product Specifications:

Kettle & Pot Filler Assembly w/ B-0068-H Flex Hose, Wall Mount Faucet, Vacuum Breaker, 4-Arm Handle & Spray Valve w/ Hook Nozzle

Drawn DMH	Checked KJG	Approved JHB
Scale: NTS		Date: 01/13/09