

T&S BRASS AND BRONZE WORKS, INC.
 2 SADDLEBACK COVE / P.O. BOX 1088 / TRAVELERS REST, SC 29690
 PHONE 800-476-4103 - FAX 864- 834-3518



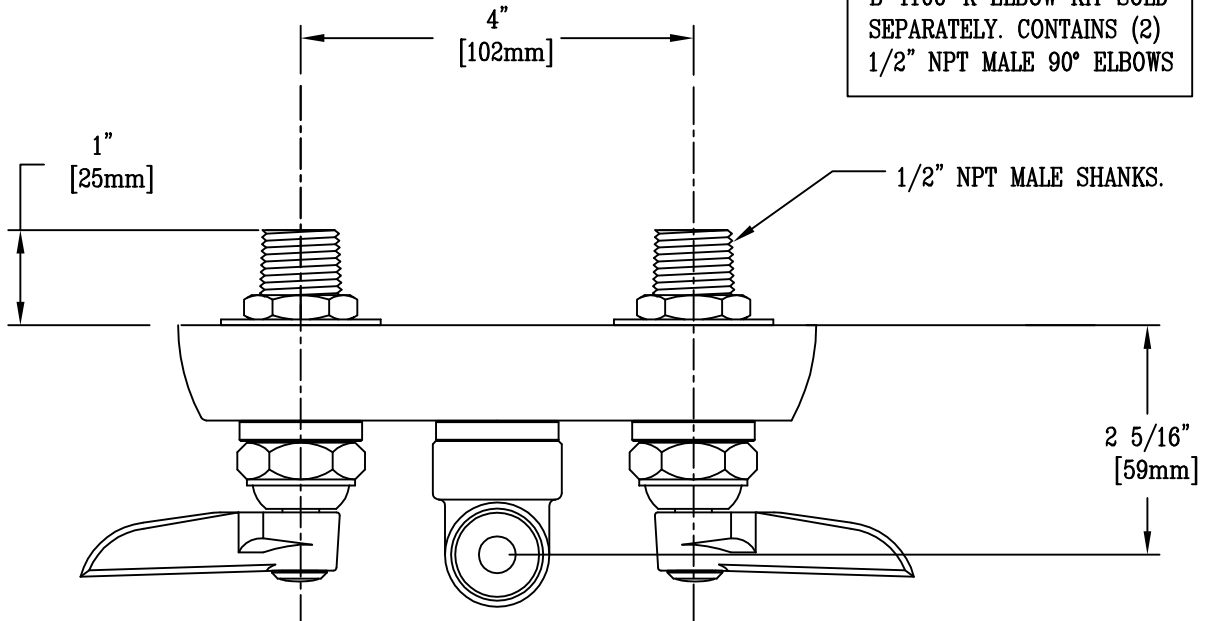
Model No.
 B-1115-LN
**RELIABILITY
 BUILT IN**

Job Name:

Architect/Engineer Approval:

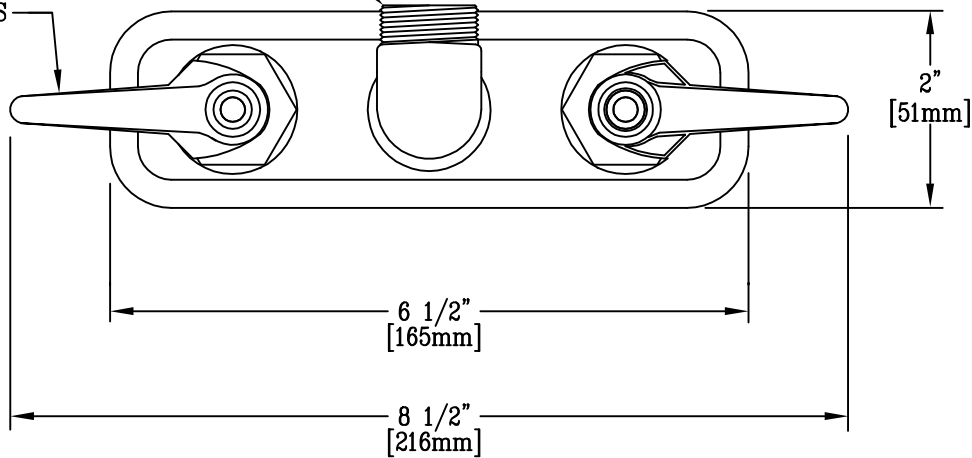
Notes:

B-1100-K ELBOW KIT SOLD SEPARATELY. CONTAINS (2) 1/2" NPT MALE 90° ELBOWS



SWIVEL BASE ACCEPTS STANDARD T&S SWING NOZZLES

HOT & COLD INDEXED LEVER HANDLES



Product Description:
 WALL MOUNT WORKBOARD FAUCET WITH 1/2" NPT MALE SHANKS, 4" CENTERS, LEVER HANDLES, LESS NOZZLE

Drawn:
 WJS
 Approved
 MVW

Checked
 JKD

Scale:
 1 : 2
 Date:
 10-4-01