



T&S BRASS AND BRONZE WORKS, INC.

2 Saddleback Cove / P.O. Box 1088
Travelers Rest, SC 29690



REG. #A2601
ISO #9001

Model No.

EC-3103-HG

Item No.

Travelers Rest, SC: 800-476-4103 Simi Valley, CA: 800-423-0150 Fax: 864-834-3518 www.tsbrass.com

This Space for Architect/Engineer Approval

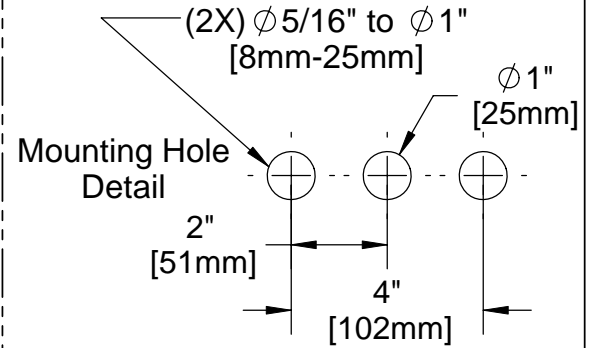
Job Name _____ Date _____

Model Specified _____ Quantity _____

Customer/Wholesaler _____

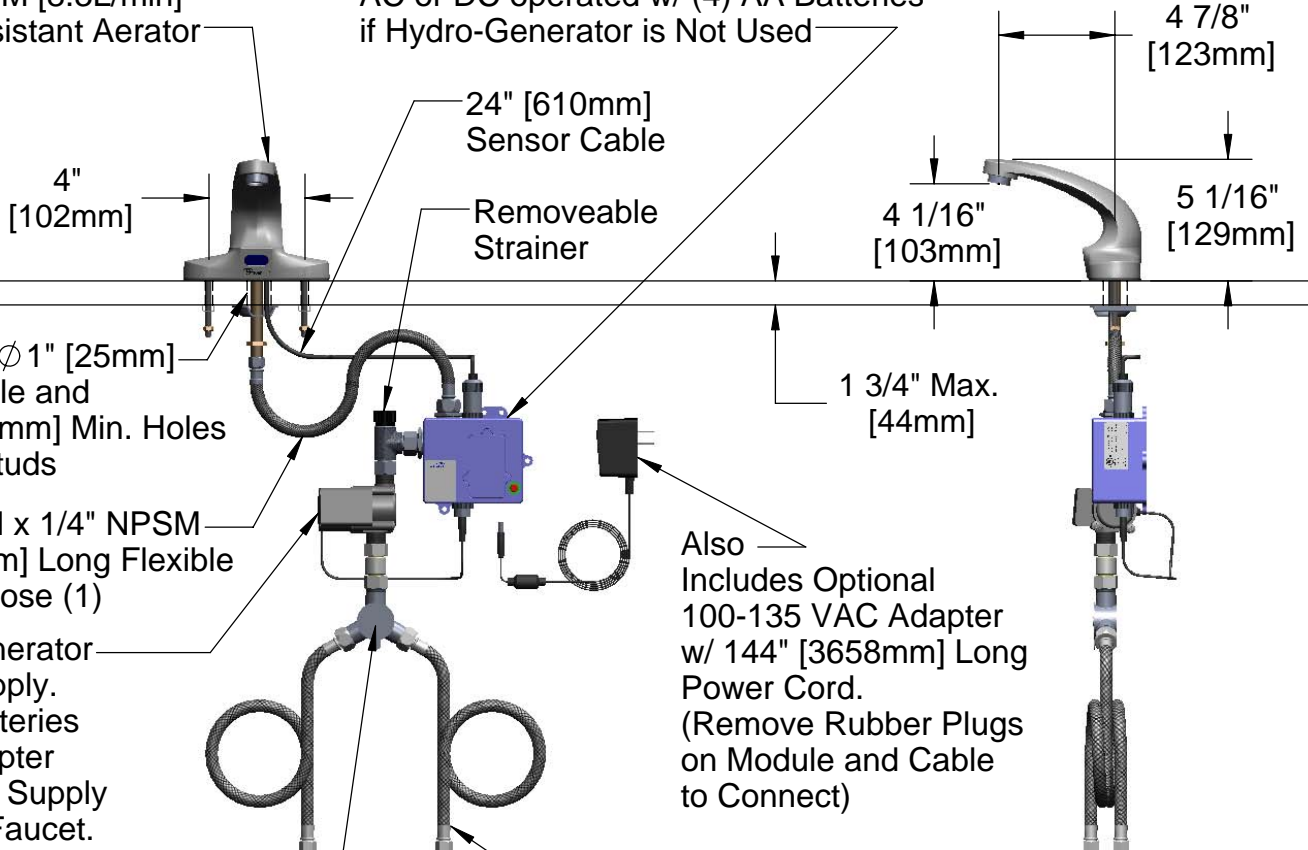
Contractor _____

Architect/Engineer _____



Solid Cast Brass Spout
w/ Polish Chrome Plated Finish
and 2.2 GPM [8.3L/min]
Vandal Resistant Aerator

3 5/8" x 4 3/16" x 2" Deep
[92mm x 106mm x 51mm]
Waterproof Control Module Box (Blue)
w/ Internal Flow Control Setting Switches,
AC or DC operated w/ (4) AA Batteries
if Hydro-Generator is Not Used



DECK

Requires ϕ 1" [25mm]
Center Hole and
 ϕ 5/16" [8mm] Min. Holes
for Side Studs

1/2" NPSM x 1/4" NPSM
18" [457mm] Long Flexible
St. Steel Hose (1)

Hydro-Generator
Power Supply.
No AA Batteries
or AC Adapter
Needed to Supply
Power to Faucet.

Also
Includes Optional
100-135 VAC Adapter
w/ 144" [3658mm] Long
Power Cord.
(Remove Rubber Plugs
on Module and Cable
to Connect)

Temperature
Mixing Valve

Furnished w/ (2)
3/8" Compression x 1/2" NPSM
18" [457mm] Flex. St. Steel Supply Hose

NOTE: Supply Stops by Others

Product Specifications: **Chrome Plated Brass Electronic Faucet:**
4" Centerset Deck Mount Spout w/ VR Aerator, AC/DC
Control Module with Internal Flow Control Setting Switches,
Temperature Control Mixing Valve, Hydro-Generator,
18" Long Hot & Cold Supply Stop Flexible Connector Hoses

Drawn GEF	Checked DMH	Approved JHB
Scale: 1:8		Date: 3/13/09



T&S BRASS AND BRONZE WORKS, INC.

2 Saddleback Cove / P.O. Box 1088
Travelers Rest, SC 29690



REG. #A2601
ISO #9001

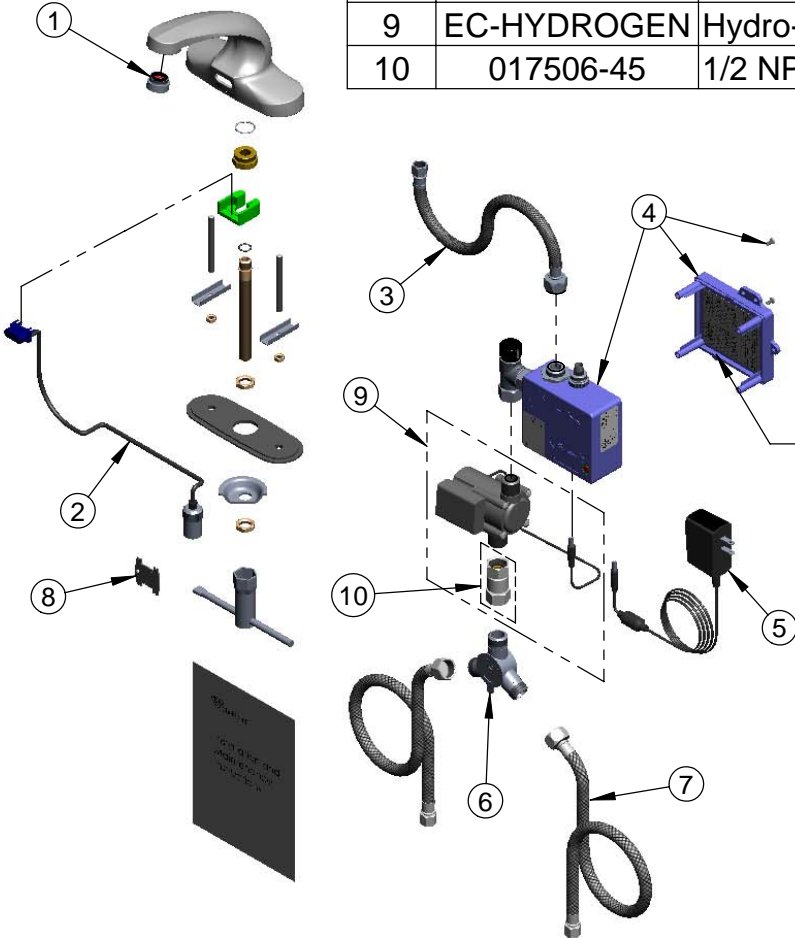
Model No.

EC-3103-HG

Item No.

Travelers Rest, SC: 800-476-4103 Simi Valley, CA: 800-423-0150 Fax: 864-834-3518 www.tsbrass.com

ITEM NO.	SALES NO.	DESCRIPTION
1	016355-45	Aerator w/ Key, Vandal Resistant, 2.2 GPM, 13/16-27 Male
2	017195-45	Angled Sensor w/ Cable
3	016297-45	Inlet Hose, Faucet, 1/2" NPSM-F x 1/4" NPSM-F
4	016647-45	ChekPoint Module (Blue)
5	5EF-0002	A/C Transformer
6	5EF-0006	Manual Mixing Valve
7	5EF-0005	Supply Hose, 9/16-24 Female x 1/2" NPSM
8	Q015425-45	Vandal Resistant Key
9	EC-HYDROGEN	Hydro-generator and Swivel Coupling
10	017506-45	1/2 NPSM Swivel Coupling



Label for Flow Control Switch Settings is located on Inside of Back Cover.

Flow Control Switches are located inside Module Housing in Black Box next to Battery Compartment.
*Switches are set to DEFAULT position:
Auto Time Out = 10 seconds
Shut Off Delay = 1 second

Remove (4) screws and back cover to access switches.

***Available Water Flow Control Selections:**

(6) Auto Time Out Selections - 10 sec, 25 sec, 45 sec, 60 sec, 3 min, 20 min

(6) Shut Off Delay Selections - 1 sec, 2 sec, 3 sec, 4 sec, 5 sec, 6 sec

Product Specifications: **Chrome Plated Brass Electronic Faucet:**
4" Centerset Deck Mount Spout w/ VR Aerator, AC/DC Control Module with Internal Flow Control Setting Switches, Temperature Control Mixing Valve, Hydro-Generator, 18" Long Hot & Cold Supply Stop Flexible Connector Hoses

Drawn GEF	Checked DMH	Approved JHB
Scale: 1:8		Date: 3/13/09