



**T&S BRASS AND BRONZE WORKS, INC.**  
 2 SADDLEBACK COVE / P.O. BOX 1088 / TRAVELERS REST, SC 29690  
 PHONE 800-476-4103 - FAX 864- 834-3518



Model No.

B-1126

**RELIABILITY  
 BUILT IN**

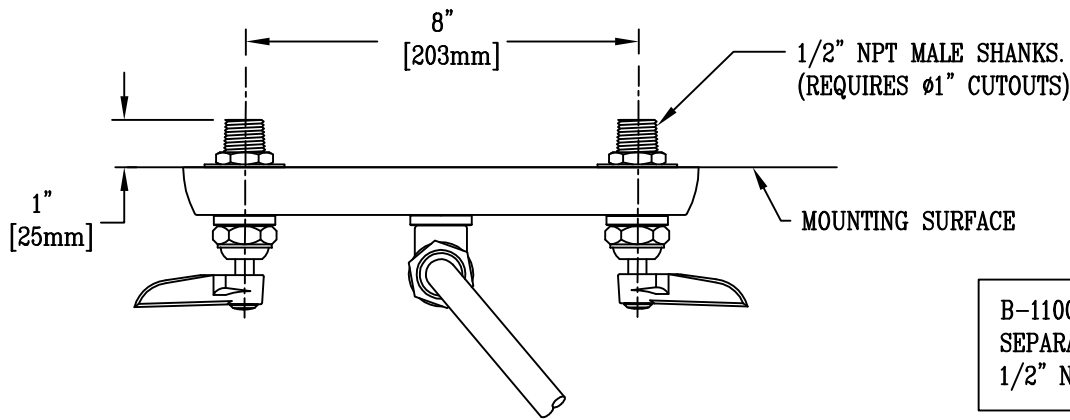
Job Name:

Architect/Engineer Approval:

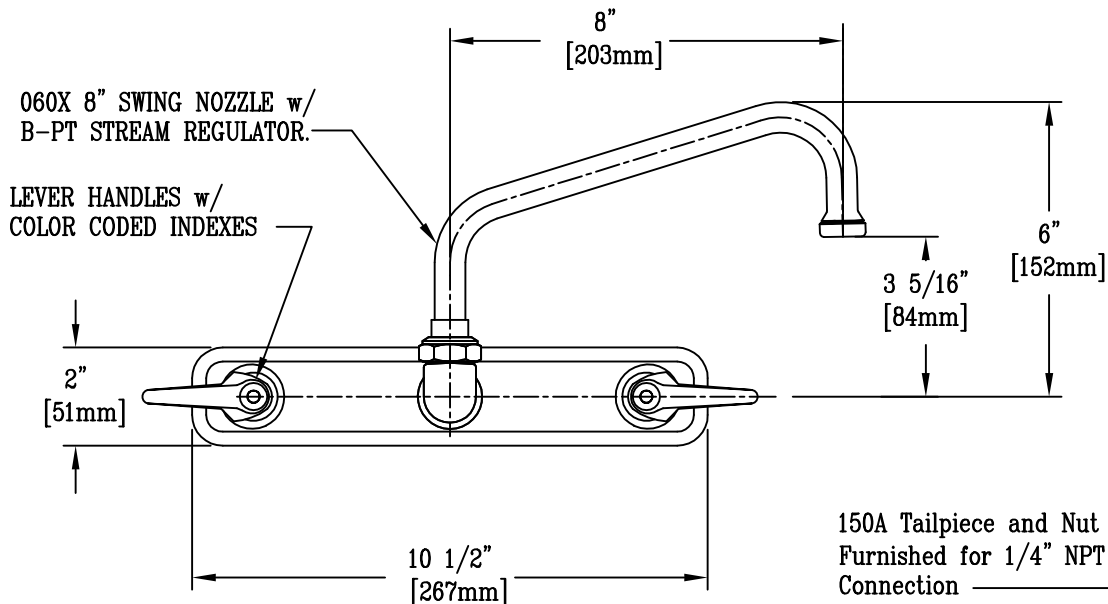
Notes:



**ADA Compliant**



**TOP VIEW**



**FRONT VIEW**

Product Description:  
 WALL MOUNT WORKBOARD FAUCET w/ 1/2" NPT MALE SHANKS, 8" INLET CENTERS, 060X 8" SWING NOZZLE, B-PT STREAM REGULATOR & LEVER HANDLES

Drawn:

KJG

Checked

JRM

Scale:

1 : 4

Approved

JHB

Date:

12/19/07