



**Project:**  
**Item Number:**  
**Quantity:**

**MIRAGE® PRO COUNTERTOP INDUCTION RANGE**



**ITEMS**

Item No.	Description
59500P	Countertop Induction Range, 1800 Watts
59510P	Countertop Induction Range, 1400 Watts (Recommended for Canada)

**FEATURES**

- 1-100 power levels and °F/°C temperature control.
- 90% efficiency rating.
- 1-180 minute timer.
- The case frame is made from heavy-duty, 18-gauge stainless steel with a ceramic top.
- Variable speed knob for fast temperature adjustment.
- Range displays HOT when unit is turned off if the cooking surface is still hot.
- Rubber feet to prevent slipping of appliance.
- 6 ft. (183 cm) power cord with plug.

**DESCRIPTION**

The ultra-low profile, portable countertop induction range is designed for use in light to medium duty front-of-the-house cooking.

The induction ranges are equipped with a variety of safety features including:

- Over-heat protection
- Small-article detection
- Pan auto-detection function
- Empty-pan shut-off
- Safety auto-shut-off function

**WARRANTY**

All models shown come with Vollrath's 2-year warranty against defects in materials and workmanship. For full warranty details, please refer to [www.vollrath.com](http://www.vollrath.com).

- This appliance is intended for use with induction-ready cookware.
- Intended for cookware with a flat base with a minimum diameter less than 4¾" (12.1 cm).
- Not intended to be used with aluminum pans with a metal disk on the bottom.

**AGENCY LISTINGS**

**59500P**



This device complies with Part 18 FCC Rules.

**59510P**



This device complies with Part 18 FCC Rules.

*Due to continued product improvement, please consult [www.vollrath.com](http://www.vollrath.com) for current product specifications.*

Approvals	Date



[www.vollrath.com](http://www.vollrath.com)

**The Vollrath Company, L.L.C.**

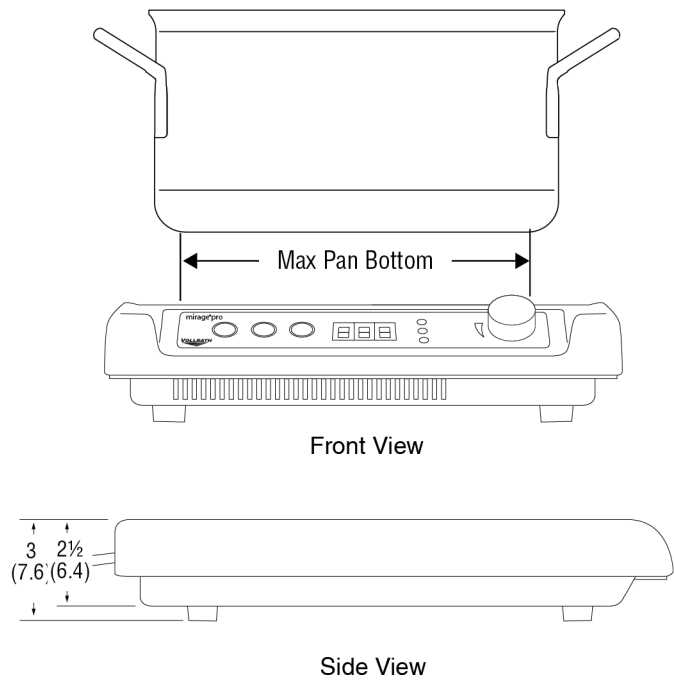
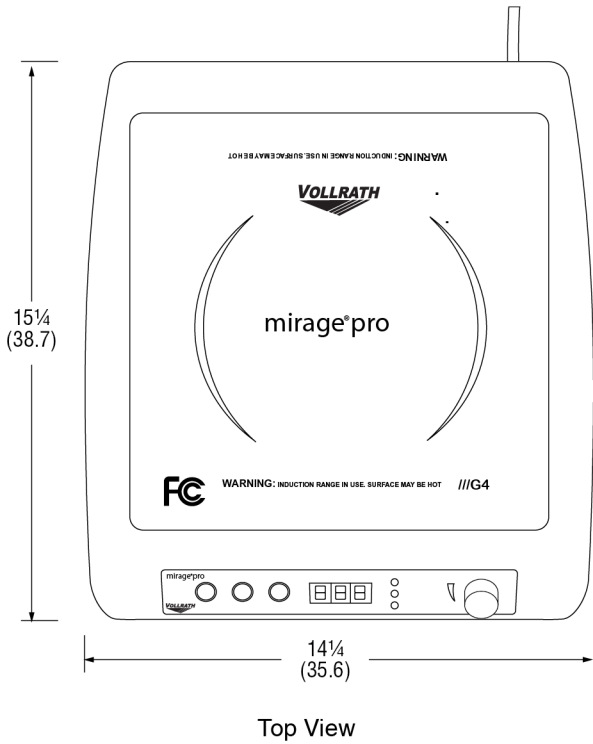
1236 North 18th Street  
 Sheboygan, WI 53081-3201 U.S.A.  
 Main Tel: 800.624.2051 or 920.457.4851  
 Main Fax: 800.752.5620 or 920.459.6573  
 Customer Service: 800.628.0830  
 Canada Customer Service: 800.695.8560

**Technical Services**

[techservicereps@vollrathco.com](mailto:techservicereps@vollrathco.com)  
 Induction Products: 800.825.6036  
 Countertop Warming Products: 800.354.1970  
 All Other Products: 800.628.0832

# MIRAGE® PRO COUNTERTOP INDUCTION RANGE

**DIMENSIONS** Shown in inches (cm)



## CLEARANCE REQUIREMENTS

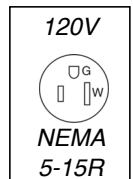
- Indoor use only.
- Minimum required clearance is 4 inches (10.2 cm) at the rear and 1/2 inch (1.27 cm) at the bottom.
- All models require unrestricted intake and exhaust air ventilation for proper operation of the controls.
- The maximum intake temperature must not exceed 110°F (43°C). Temperatures are measured in ambient air while all appliances in the kitchen are in operation.
- This equipment requires a dedicated circuit.

## SPECIFICATIONS

Item No.	Max Pan Diameter* IN (CM)	Watts	Volts	Amps	Phase	Hz	Plug	Weight LB (KG)
59500P	10 1/4"	1800	120	15	Single	60	NEMA 5-15P	12.8
59510P	(26)	1400		12				(5.8)

\* Maximum pan diameter is provided as a guideline for achieving maximum performance. Cookware with a larger base diameter can be used, however only the area of the cookware above the induction coil will heat. The more cookware extends past the coil, the more the overall performance will be reduced. Other factors impact performance including pan construction, material, the density and volume of the food in the pan, ambient temperature, and food temperature. Cookware with inferior construction or material may not perform well.

### Receptacle



[www.vollrath.com](http://www.vollrath.com)

### The Vollrath Company, L.L.C.

1236 North 18th Street  
 Sheboygan, WI 53081-3201 U.S.A.  
 Main Tel: 800.624.2051 or 920.457.4851  
 Main Fax: 800.752.5620 or 920.459.6573  
 Customer Service: 800.628.0830  
 Canada Customer Service: 800.695.8560

Technical Services  
[techservicereps@vollrathco.com](mailto:techservicereps@vollrathco.com)  
 Induction Products: 800.825.6036  
 Countertop Warming Products: 800.354.1970  
 All Other Products: 800.628.0832