



Project:

Item Number:

Quantity:

### MODULAR DROP-IN: FIVE WELL HOT



Modular Drop-In: Five Well Hot

#### DESCRIPTION

The modular drop-in is designed for top-mount installation and does not require hard-wiring. The drop-in comes complete with a 6-ft. (182.8 cm) power cord with plug and a 4-ft. (121.9 cm) control cord for remote installation.

Full-perimeter drip-edge contains spills and condensation within the stainless steel countertop area of the drop-in. Drip-edge adds additional strength to the flange area.

Drop-in can operate wet or dry, however, moist operation is recommended for even heating of the food product. Meets NSF4 performance standards when using moist heat.

High-density glass-fiber insulation allows zero-clearance installation and use of 625W elements for lower energy consumption and reduced costs. Also available with 1000W elements.

Stainless steel wells are 6 3/8" (16.19 cm) deep to allow use of full-size and fractional pans up to 6" (15.24 cm) deep while still providing moist heat. Adaptor bars are recommended when using fractional pans.

#### Agency Certifications



#### MODELS

	1000W Per Well	625W Per Well	Drain	Auto-Fill
208V Infinite Control		36408	Standard	-
		3640850	Manifold	-
208V Thermostatic Control		3640860	Manifold	Yes
		3640810	Standard	-
208-240V Infinite Control	3640801		Standard	-
	3640851		Manifold	-
208-240V Thermostatic Control	3640861		Manifold	Yes
	3640811		Standard	-
240V Infinite Control	3640871		Manifold	-
	3640881		Manifold	Yes
240V Thermostatic Control		36475	Standard	-
		3647550	Manifold	-
240V Thermostatic Control		3647560	Manifold	Yes
		3647510	Standard	-
		3647570	Manifold	-
		3647580	Manifold	Yes

#### FEATURES

- Top is 18-gauge stainless steel, 18-8 Type 304, with 3/8" (9.52 mm) overhang on all sides and die-stamped with full-perimeter drip-edge, and 19 7/8" x 11 7/8" (50.48 x 30.16 cm) openings.
- Breaker gasket included for installation under drip-edge.
- Flat work surface around opening.
- Deep drawn well is 20-gauge 18-8 stainless steel, 6 3/8" (16.19 cm) deep.
- Standard 1000W or 625W heating element.
- Infinite or thermostatic control.
- Power indicator light.
- Standard drain is 1/2" (1.27 cm) stainless steel fitting welded to pan with ball valve shutoff below exterior housing.
- Manifold drain option is 1" (2.54 cm) copper tubing and retains individual well shut-off and adds manifold shutoff.
- Unit insulated on sides, between wells, and below element assembly with high-density glass fiber insulation.
- Exterior housing is 20-gauge galvanized steel.
- Drop-in is supplied with stainless steel control panel connected to bottom of unit for shipping.
- Control panel may remain on unit or be remote mounted.
- Control wires contained in flexible rubber cord.
- Unit comes with cord and plug and does not require hard wiring installation.
- Positioning clips provided to center drop-in within cutout.
- Standard mounting clips adjustable for up to 3" (7.62 cm) thick counters.
- Full one-year parts and labor warranty.
- Sheet pan adapter available. Item No. 19186.

Approvals

Date:

--



Setting the Standard™

www.vollrathco.com

The Vollrath Company, L.L.C.  
 1236 North 18th Street  
 Sheboygan, WI 53082-0611  
 U.S.A.  
 Main Tel: 800.624.2051  
 Service Tel: 800.628.0832  
 FAX: 800.752.5620

Vollrath of Canada, Co.  
 Tel: 800.695.8560  
 FAX: 800.752.5620

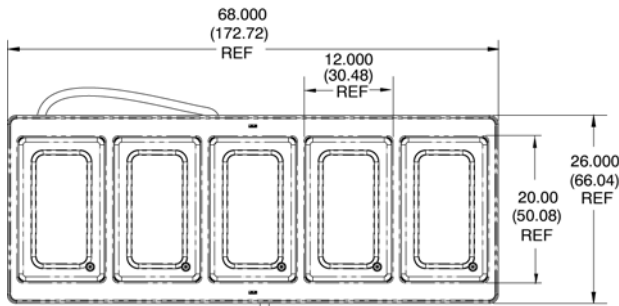
# MODULAR DROP-IN: FIVE WELL HOT

## AUTO-FILL OPTION

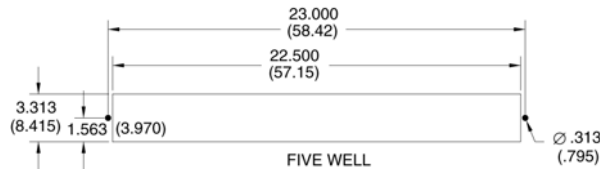
Field-installed option that efficiently maintains a constant water level. Eliminates the need to monitor wells and add water, reducing operating and labor costs. Attaches easily to manifold drain assembly using simple tools. The check valve/siphon prevents cross contamination of drain and potable water lines.

## DIMENSIONS

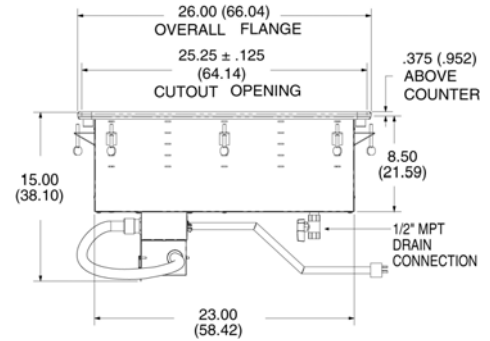
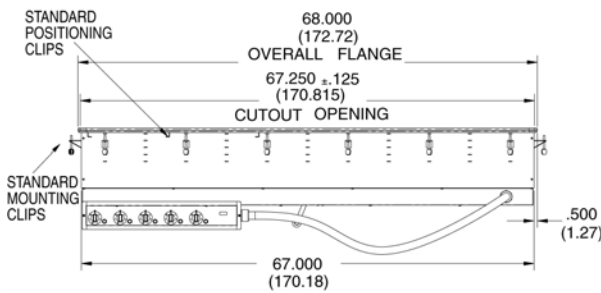
- ❑ Overall Dimension: 68.00" x 26.00" (172.72 cm x 66.04 cm)
- ❑ Cutout Dimensions: 67.25" x 25.25" (170.815 cm x 64.14 cm)
- ❑ Opening cutout must have a 7/8" (2.22 cm) corner radius.



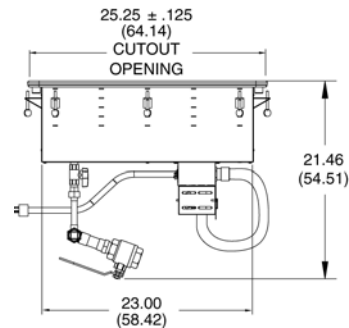
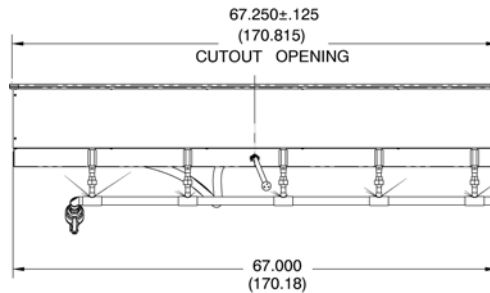
### Control Panel Cutout +.063/-0 (+.160/-0) Tolerance



### Standard Drain



### Manifold Drain

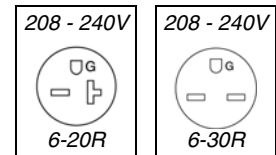


Dimensions shown in inches (centimeters).

## ELECTRICAL SPECIFICATIONS

Model	Total Watts	Volts	Nominal Amps	NEMA Plug
36408, 3640850, 3640860, 3640810, 3640870, 3640880	3125	208V AC	15.0	6-20P
3640801, 3640851, 3640861, 3640811, 3640871, 3640881	3750 - 5000	208 - 240V AC	18.0 - 20.8	6-30P
36475, 3647550, 3647560, 3647510, 3647570, 3647580	3125	240V AC	13.0	6-20P

### Receptacles



www.vollrathco.com

The Vollrath Company, L.L.C.  
1236 North 18th Street  
Sheboygan, WI 53082-0611  
U.S.A.  
Main Tel: 800.624.2051  
Service Tel: 800.628.0832  
FAX: 800.752.5620

Vollrath of Canada, Co.  
Tel: 800.695.8560  
FAX: 800.752.5620