



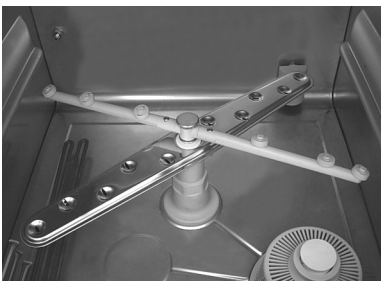
# HIGH TEMPERATURE UNDERCOUNTER DISHMACHINE

## UC-50e

High Temperature  
Undercounter Dishmachine



**CMA MODEL: UC-50e**



Upper and lower wash and  
rinse arms guarantee  
excellent results.



Built-in detergent and rinse  
chemical pumps.

### FEATURES

- 30 racks / 120 covers per hour.
- Large 13" maximum loading height door clearance accommodates oversized plates, glasses and utensils.
- Top mounted controls are easy to read and simple to operate.
- Fully automatic cycle for easy operation
- Pump drain allows for multiple installation applications including elevated drains.
- Safety Temp feature assures 180°F sanitizing rinse every cycle.
- Built-in 6 kW booster heater
- 2.7 kW wash tank heater.
- Double skin stainless steel provides consistent heating and a quiet operation.
- Low 0.8 US gal. water usage per rack.
- Door and water level safety switches, plus booster safety thermostat.
- Stainless steel safety filters protect wash pump.
- Polished stainless steel surface and tanks with rounded corners for a total and easy cleaning.
- Operator friendly, removable wash and rinse arms allows for easy cleaning.
- Triple filtering protection system, captures excess soil and debris.

### AVAILABLE OPTIONS

- Water Tempering Kit
- Drain Board

**CMA  
MIZER®**  
Registered Trademark

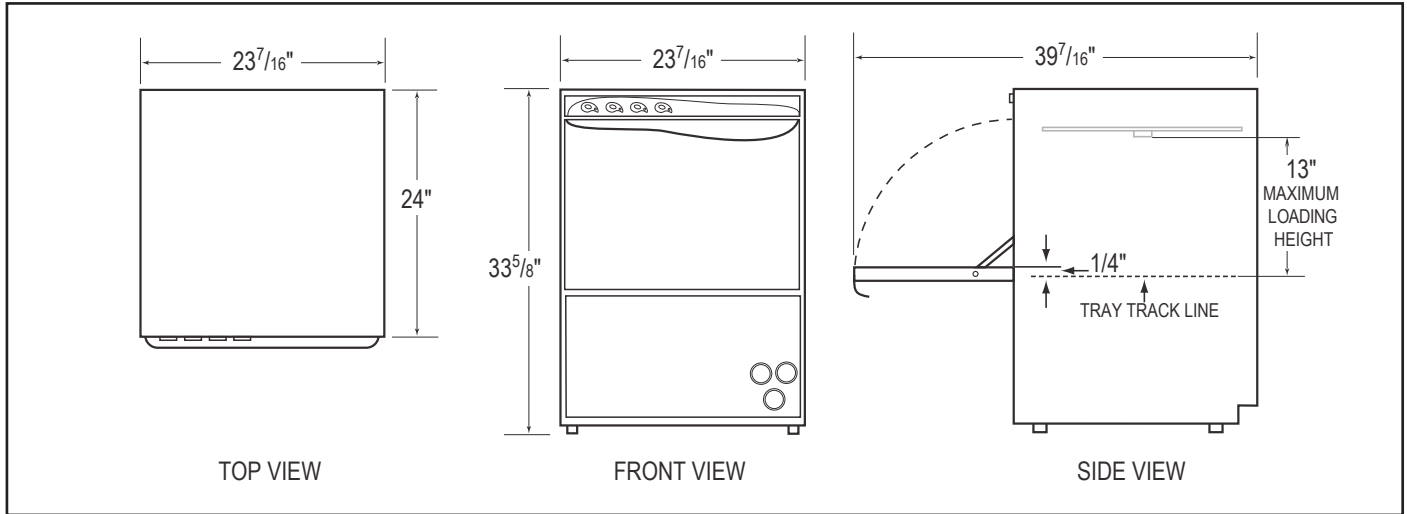




**UC50e**  
High Temp Undercounter  
Dishwasher And Glasswasher

**WARNINGS:**

- Plumbing connections must be made by a qualified service company who will comply with all available Federal, State, and Local Health, Plumbing and Safety codes.
- CMA recommends utilizing a water softening system to maintain water hardness measurements of 3.5 gpg (grains per gallon) or less. This will assure maximum results and optimum operation of the dishmachine.



**Specifications:**

MODEL UC50e	USA	METRIC	USA	METRIC
<b>WATER CONSUMPTION</b>				
PER RACK	.8 GAL	(3L)		
PER HOUR	24/16 GAL	(90/60L)		
<b>OPERATING CYCLE</b>				
WASH TIME-SEC	100/160	100/160		
RINSE TIME-SEC	15/15	15/15		
DWELL-SEC	5/5	5/5		
TOTAL CYCLE-SEC	120/180	120/180		
<b>OPERATING CAPACITY</b>				
RACKS PER HOUR	30/20	30/20		
WASH TANK CAPCITY	6.87 GAL	(26L)		
<b>WATER REQUIRMENTS</b>				
WATER INLET	140°F	(60°C)		
DRAIN CONNECTION	3/4"			
RINSE PRESSURE SET	1"			
	24 PSI	1.7kg/cm <sup>2</sup>		
<b>CYCLE TEMPERATURES</b>				
WASH-°F	155°F-160°F	(68°C/71°C)		
RINSE-°F	180°F-195°F	(82°C/90°C)		
<b>FRAME DIMENSIONS</b>				
DEPTH	24"	(61 CM)		
WIDTH	23-7/16"	(59.5 CM)		
HEIGHT	33-5/16"	(84.5 CM)		
MAXIMUM LOADING HEIGHT	13"	(33 CM)		
<b>STANDARD DISHRACK</b>				
DIMENSIONS	1	1		
	20" x 20"	(50.8 X 50.8CM)		
<b>WASH PUMP MOTORS HP</b>	3/4HP			
<b>HEATERS</b>	208/240V			
WASH TEMP HEATER	2.7kW / 2.94kW			
BOOSTER HEATER	6kW / 6.53kW			
<b>ELECTRICAL RATING</b>				
(TOTAL AMPERAGE DRAWN)	VOLTS	PHASE	AMPS	
	208	1	27	
	240	1	30	
<b>APPROXIMATE SHIPPING WEIGHT</b>	165#75(KG)			
<b>SHIPPING DIMENSIONS</b>	PALLET & BOX @ 26" X 26" X 39"			

**Summary Specifications: UC-50e**

The UC50e dishwasher and glasswasher is a front loading machine designed to produce sparkling clean glasses and dishes. Constructed of double walled stainless steel skin providing constant heating and a quiet operation. Standard features include upper and lower wash/rinse arms and wash and booster tank heater. Features include 13" maximum loading height, standard liquid detergent rinse-aid dispenser.

**KROMO BRANDS**  
Distributed exclusively by CMA Dishmachines

**Advisory:** CMA does NOT endorse "Tankless On-Demand" water heaters for use on CMA Dishmachine products. CMA DOES endorse, and highly recommends, the standard "tank" style water heaters, sized properly to handle each particular facility with their water heating requirements.



CMA Dishmachines 12700 Knott Street Garden Grove, CA 92841 • 800-854-6417 • 714-898-8781 • Fax: 714-895-2141 • www.cmadishmachines.com

CMA reserves the right to modify specifications or discontinue models without prior notification.

© 3-2020 CMA, Inc.

an Ali Group Company



The Spirit of Excellence