



Item No. _____

Quantity _____

Model No.

6450, 6450-4, 6451, 6451-2,
6452, 6452-2, 6453, 6453-2,
6454, 6454-2, 6455, 6455-2
**PIZZA, PRETZEL & HOT
FOOD MERCHANDISERS**



6451



6453



6454

Powerful, attractive NEMCO Merchandisers stimulate added sales of your fresh pizza, pretzels, bagels, muffins, etc. Choose from either 3 or 4 tiered rack models ideal for holding and displaying your product in a controlled temperature environment. Both single and double door units are available with fixed or rotating shelves. Durable stainless steel construction and tempered glass makes clean-up quick and easy. All units come with lighted interiors, contemporary signage, and a water reservoir to provide humidity. Exclusive to Nemco, the new and improved “break-away” clutch motor design allows end users to turn the rack in either direction to reach the desired product while the door is open.

Standard Features:

- Stainless steel and tempered glass construction
- Water reservoir
- Tubular heating element
- Bulb and capillary adjustable thermostat
- Temperature gauge on control panel
- Rack stops when door opens
- Rack motor has exclusive “break-away” clutch feature
- 2 – 40 watt interior lights
- Served and Self Serve models
- “Power-on” Indicator light
- 4” adjustable feet
- 120 Volt
- ETL and NSF listed

Accessories:

- Set of four stainless steel legs
- Replacement Racks

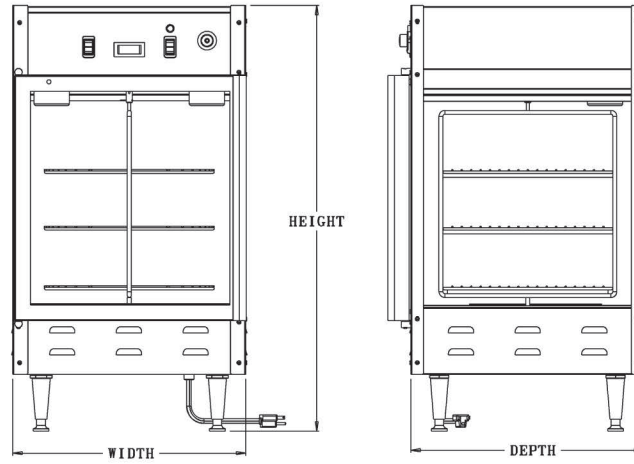


NEMCO Food Equipment, Ltd.
301 Meuse Argonne
P.O. Box 305
Hicksville, OH 43526
Phone (419) 542-7751
FAX (419) 542-6690
www.nemcofoodequip.com

Model No.

**6450, 6450-4, 6451, 6451-2, 6452, 6452-2,
6453, 6453-2, 6454, 6454-2, 6455, 6455-2**

AIA File No.



Specifications

Model No.	Time to 180°	Width Inches/ (cm)	Depth Inches/ (cm)	Height Inches/ (cm)	Rack Size	Voltage	Rated Wattage	Nominal Amps	NEMA Configuration	Unit Weight lbs./ (Kg)	Shipping Weight lbs./ (Kg)
6450	16 min.	18 1/2 (44.4)	18 1/2 (44.4)	33 7/8 (86.1)	3-Tier 12" Racks	120	1480	12.3	5-15P plug	66 (30.0)	76 (34.6)
6450-4	16 min.	18 1/2 (44.4)	18 1/2 (44.4)	33 7/8 (86.1)	4-Tier 12" Racks	120	1480	12.3	5-15P plug	66 (30.0)	76 (34.6)
6451, 6451-2	16 min.	22 1/4 (56.6)	22 1/4 (56.6)	33 7/8 (86.1)	3-Tier 18" Racks	120	1480	12.3	5-15P plug	83 (37.8)	93 (42.3)
6452, 6452-2	16 min.	22 1/4 (56.6)	22 1/4 (56.6)	33 7/8 (86.1)	4-Tier 18" Racks	120	1480	12.3	5-15P plug	83 (37.8)	93 (42.3)
6453, 6453-2	16 min.	22 1/4 (56.6)	22 1/4 (56.6)	33 7/8 (86.1)	16 Pretzel Arms	120	1480	12.3	5-15P plug	83 (37.8)	93 (42.3)
6454, 6454-2	16 min.	18 1/2 (44.4)	18 1/2 (44.4)	33 7/8 (86.1)	3-15" Square Shelves	120	1480	12.3	5-15P plug	66 (30.0)	76 (34.6)
6455, 6455-2	16 min.	22 1/4 (56.6)	22 1/4 (56.6)	33 7/8 (86.1)	3-19" Square Shelves	120	1480	12.3	5-15P plug	83 (37.8)	93 (42.3)

* "-2" models are self serve with two doors.

TYPICAL SPECIFICATIONS

Merchandisers shall be constructed with a brushed stainless steel frame and tempered glass sidewall panels. The interior shall have a water reservoir for maintaining moisture. All units will have case vents, contemporary, stylish signage, 4" legs, 2 – 40 W oven lamps, and a 6' cord and NEMA 5-15P plug. Each unit shall have a 1400 W tubular heating element, separate rocker switches for the interior lights and heating element, light indicating cycling of heating, a bulb and capillary adjustable thermostat, and "break-away" clutch motor. The units shall operate on 120 volts and be rated at 1480 watts. The merchandisers shall carry the approval of ETL Testing Laboratories and shall be listed with the National Sanitation Foundation.



NEMCO Food Equipment, Ltd.
301 Meuse Argonne, P.O. Box 305
Hicksville, OH 43526
Phone (419) 542-7751
FAX (419) 542-6690
www.nemcofoodequip.com