



**Model: 6440 & 6445
POPCORN POPPER
OPERATING INSTRUCTIONS**

INTRODUCTION

1. Please read instructions before using this appliance.
2. When using electrical appliances, basic precautions should always be followed to reduce the risk of fire, electric shock and injury.
3. Clean machine thoroughly before and after all uses using cleaning instructions below

SAFETY INSTRUCTIONS

1. Plug electrical cord into a certified electrical outlet with a corresponding voltage rating as listed on the machine model labels.
2. Always unplug the electric cord when appliance is not in use and before cleaning, adjusting or maintaining this machine. Do not operate with a damaged cord or plug or after the machine malfunctions, has been dropped or damaged. Use authorized service for examination, electrical or mechanical adjustment or repair.
3. This machine will be HOT during use and for a short time after it is turned off – BE CAREFUL. To avoid burns, do not let bare skin touch hot surfaces. If provided, use handles when moving this appliance. Keep combustible materials away from appliance.
4. Extreme caution is necessary when any appliance is used by or near children and whenever the appliance is left operating and unattended.
5. This appliance is not intended for use near or around water. Never locate appliance where it may fall into a water container.
6. Do not insert or allow foreign objects to enter any ventilation or exhaust opening as this may cause an electrical shock, fire or damage to the appliance. Do not block air intakes or exhaust in any manner. Do not use on soft surfaces where openings may become blocked.

PREPARATION

1. Remove all packing pieces and lift unit out of the box.
2. Remove any outside packaging that may have stuck to the machine.
3. Remove any plastic coating that may be affixed to the stainless steel surfaces.
4. Be sure that the wire that is tied to the kettle is removed.
5. Unit can only be operated with the 4” legs provided. Failure to do so will cause damage to the unit & countertop.
6. Set unit on a flat surface.
7. Position the unit near the power outlet. Avoid the use of extension cords. Do not run cord under carpeting or cover with runners of the like. Arrange the cord where it will not be tripped over.
8. This appliance has hot and live electrical parts. Do not use in areas where gasoline, paint or flammable liquids are used or stored.
9. If unit fails to work properly when first operated call NEMCO customer service at 1-800-782-6761.

ELECTRICAL REQUIREMENTS

Refer to the product tag (serial plate) on the unit for voltage and wattage requirements. Be sure to plug the unit into a grounded outlet with sufficient power.

OPERATION

1. Be sure that the machine is plugged into the appropriate power supply.
2. Turn on the kettle and power switches and let machine preheat for a minimum of 5 minutes.
3. Measure out the popping corn and add the seasoning to the corn.
4. Measure out the popping oil.
5. Lift open the kettle lid and add the oil first and then add the seasoned corn. Close the lid.
6. When popping stops, dump the kettle immediately by turning the kettle release shaft.
7. Be sure that the kettle is immediately returned to the upright position. Turn off kettle switch when it is not in use.

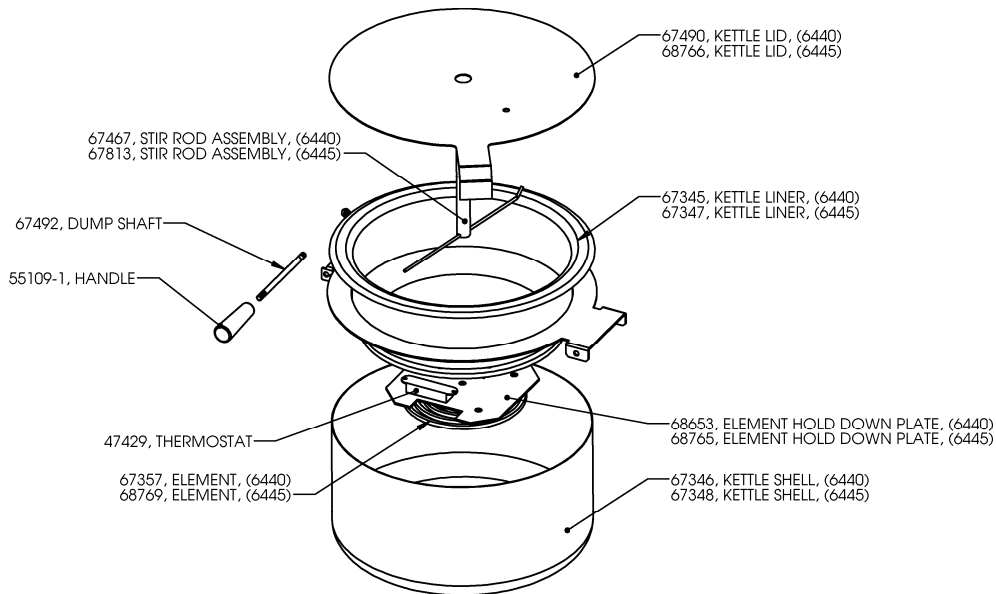
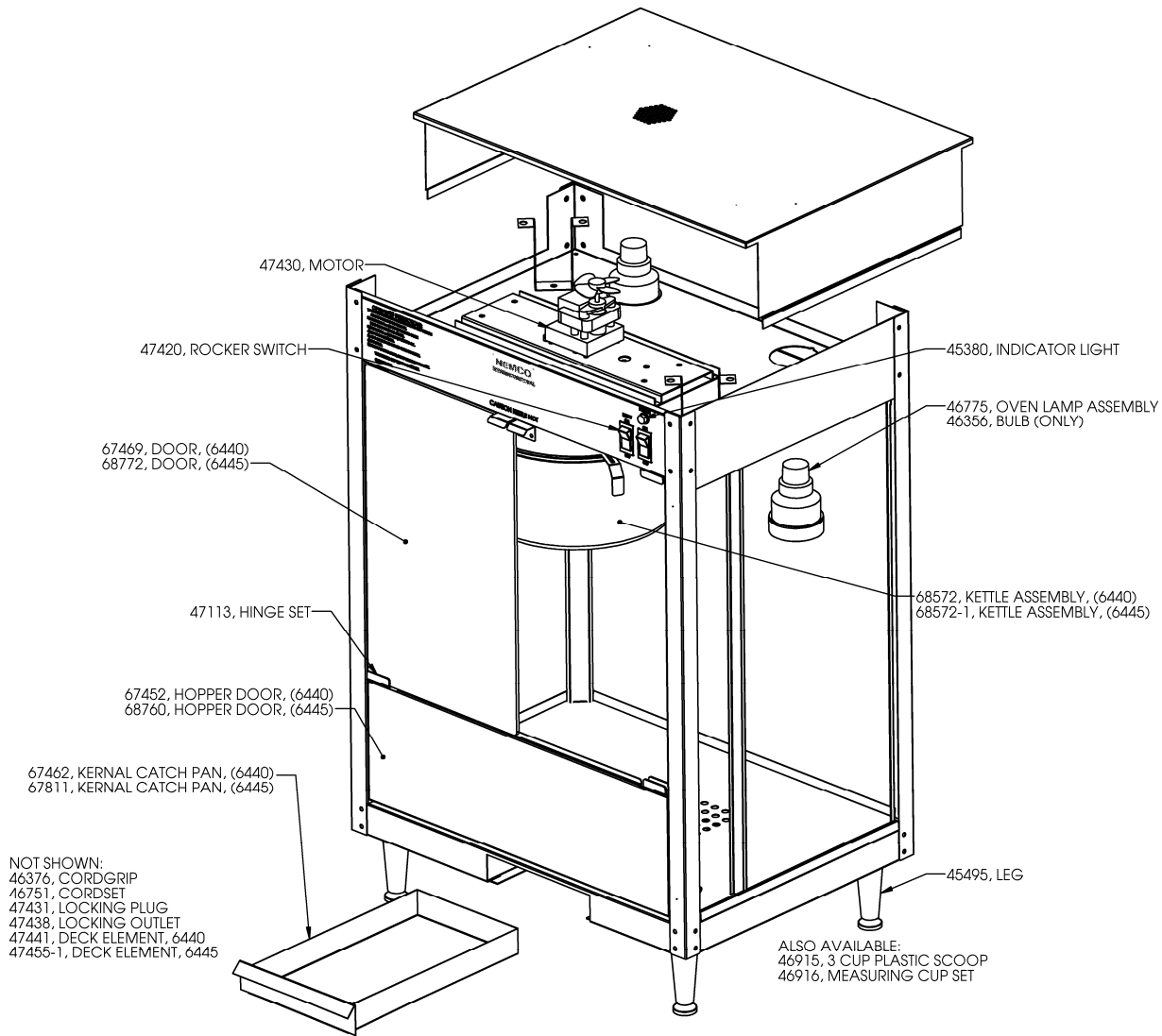
CLEANING

NOTE: Proper maintenance plays an important part in the life span and functioning of the unit

1. Turn off both the kettle and power switches.
2. **Unplug the power cord and disconnect power supply to the kettle.**
3. Do not immerse in water or other liquid. Avoid splashing water into the motor unit.
4. Clean unit with a mild detergent and warm water making sure to remove as much salt and grease as possible. Be sure to disconnect kettle and clean the inside and outside surfaces completely. Dry unit when completed.
5. Be sure to dump and clean the kernel catch pan as well.

SERVICE INSTRUCTIONS

1. For warranty or service information, please refer to the attached “NEMCO Food Equipment Warranty Service Procedures.”
2. The light can be replaced easily in the event it burns out. Be sure to replace it with a shatterproof bulb.



301 Meuse Argonne Hicksville, OH 43526
 1-800-782-6761 Toll Free 419-542-6690 Fax
www.nemcofoodequip.com



46037
 1-22-2013