

# G-236 BUILT-IN GRIDDLE

G-236 BUILT-IN GRIDDLE



**IMPORTANT:** This unit is designed and approved for installation into metal countertops only.

Wells G-236 Built-In Griddle is ideal for any kitchen based on its versatile, easy-to-use design. In addition to the standard grill surface there are two options to choose from, grooved or chrome-plated. The four positive-off thermostats allow individual zone control. The oversized grease drawer is easily removable for cleaning.

## Features

- Each individual positive-off thermostat controls one-fourth of the cooking surface.
- Enclosed tubular elements are clamped onto the 1/2" thick griddle plate to provide even heat distribution over the entire surface.
- Removable splashguard makes clean up easier.
- The removable front grease drawer has a four-quart capacity.
- Controls are recessed in one-piece, drawn, stainless steel panel to help prevent accidental temperature changes.
- Wellslok allows for quick and easy installation in stainless steel countertops.
- A terminal block is provided for field wiring connection to the main power supply.
- The G-236 Griddle is Underwriters Laboratories, Inc. recognized and meets NSF International standards.
- A one-year warranty against defects covers parts and labor.

## Specifications

Overall Dimensions:	Inches	MM
Width	36 1/2	927
Depth	29 9/16	751

Griddle Surface Dimensions:		
Width	34 1/4	870
Depth	24 5/16	617
Area	833 in <sup>2</sup>	.54 m <sup>2</sup>

Temperature Range:	Fahrenheit	Celsius
G-236	200° to 450°	93° to 232°

Number of Thermostats:	4
------------------------	---

Pre-Heat Time to 400° F:	9 minutes
--------------------------	-----------

Watts Per Hour to Maintain 400° F:	2,200
------------------------------------	-------

Typical Production:	Per Load	Per Hour
Hamburgers	65	975
Steaks	24	300
Pancakes*	48	700
Eggs*	58	1000

\* Not applicable to grooved surface

Weights:	Lbs.	KG
Installed	272	123
Shipping	292	132

## Accessories / Options

**Chrome-plated griddle surface**, allows more efficient heat transfer throughout the cooking area, available by special order.

**Grooved griddle surface**, 3/4-inch thick ribbed steel plate that allows for the "branding" of meat products, available by special order.

## Export

The following models are available for export and meet the standards for CE:

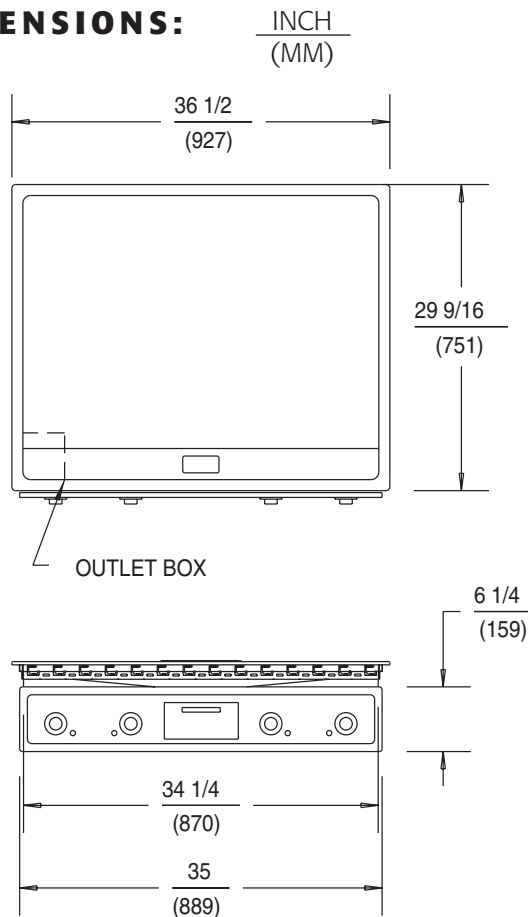
- **G-236EU**, 380-415V, 3NAC, 26 KW, 19MM thick plate
- **PG-236EU**, chrome plate, 380-415V, 3NAC, 16 KW, 19MM thick plate



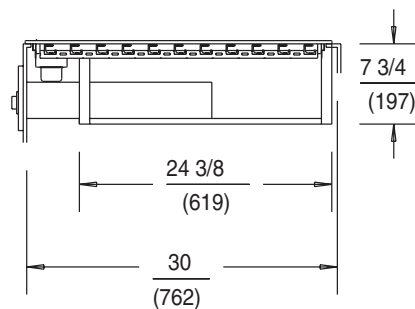


## MODEL G-236 BUILT-IN GRIDDLE

### DIMENSIONS:



SUGGESTED CLEARANCE FROM UNIT TO THE NEAREST SURFACE			
BACK	SIDE	BOTTOM	FRONT*
1	2	9	2
(25)	(51)	(229)	(51)



MINIMUM COUNTER SIZE

### G-236 ELECTRICAL SPECIFICATIONS:

MODELS	VOLTS	WATTS	AMPS PER LINE 3 PHASE				AMPS SINGLE PHASE	POWER SUPPLY CORD
			L1	L2	L3	N		
G-236	208	16000	48.3	51.3	35.0	-	76.9	NONE
G-236	240	16000	41.7	44.4	30.4	-	66.6	NONE
G-236	480	16000	20.9	22.0	15.1	-	33.3	NONE
G-236EU	380-415	16000	15.8	31.6	19.2	38.6	-	NONE

Denotes export (EU) products.

NOTE: Specifications are subject to change without notice. See installation instructions prior to installing the unit. This document is not for installation purposes. The installation of recognized component units requires additional evaluations to Underwriters Laboratories Inc. standards. Depending on the installation, clearances can be changed upon further evaluations to UL standards.

**THIS UNIT IS DESIGNED TO BE INSTALLED IN METAL COUNTERS ONLY**

