



FOOD EQUIPMENT

SERVING THE FOOD INDUSTRY SINCE 1951

EUROPEAN STAINLESS STEEL MEAT GRINDER

Item: 11053

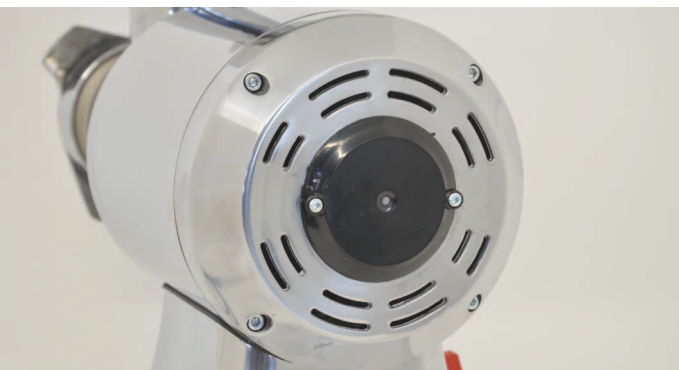
Model: MG-IT-0022-C



WARRANTY
PARTS AND LABOR

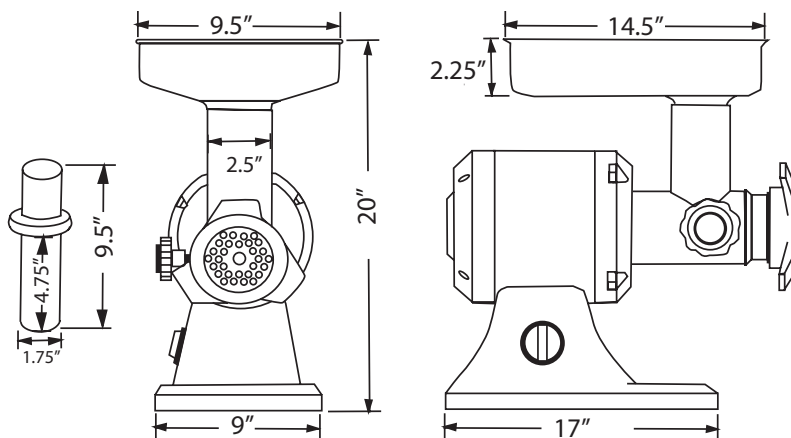


Authorized Dealer



No.22 Stainless Steel Meat Grinder

With proven dependability, this grinder offers a great value. Manufactured with a polished aluminium body and stainless steel hopper. It comes with 3/16" plate and European-style knives. Ideally suited for restaurants or small butcher operations. Locally QPS approved.



TECHNICAL SPECIFICATION

ITEM NUMBER	11053
MODEL	MG-IT-0022-C
POWER	1.5 HP / 1.12 kW
RPM	90
THROAT OPENING	2" approx
ELECTRICAL	110V/60Hz/1
WEIGHT	50 lbs. / 22.73 kg.
PACKAGING WEIGHT	54.5 lbs. / 24.77 kg.
DIMENSIONS (DWH)	17" x 9" x 20" / 431.8 x 228.6 x 508 mm
PACKAGING DIMENSIONS	19.5" x 12" x 20.5" / 495 x 304.8 x 520.7 mm

NEMA
5 - 15
125 VAC / 15 AMP



OMCAN INC.

Telephone: 1-800-465-0234
 Fax: (905) 607-0234
 Email: sales@omcan.com
 Website: www.omcan.com



Follow us to keep up to date with the latest news and offers

