



KITCHEN EQUIPMENT

SERVING THE FOOD INDUSTRY SINCE 1951

TABLETOP RESIDENTIAL MANUAL PASTA MACHINE

ITEM: 13229 MODEL: PM-CN-0179

MAKE NOODLE PRODUCTION FAST AND EASY



WARRANTY



Authorized Dealer

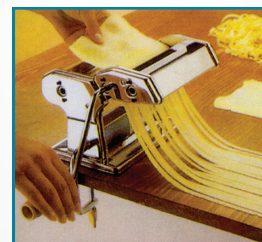
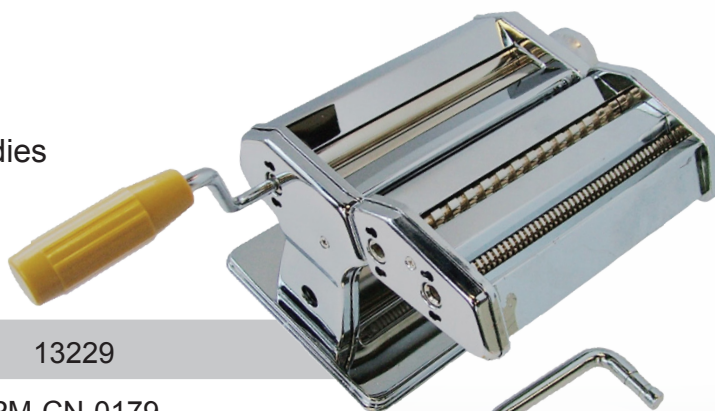
KITCHEN EQUIPMENT

MANUAL PASTA MACHINE *PM-CN-0179 / 13229*



FEATURES

- Home use pasta roller supplied with 2 cutter dies (2mm and 4mm)
- Sheet thickness is adjustable.



Cutter in use



Roller in use



Adjusting the knob

ITEM NUMBER

13229

MODEL

PM-CN-0179

ROLLER LENGTH

7" / 177.8 mm

MAX. ROLLER OPENING

3 mm

WEIGHT

7.5 lbs. / 3.4 kg.

PACKAGING WEIGHT

8 lbs. / 3.6 kg.

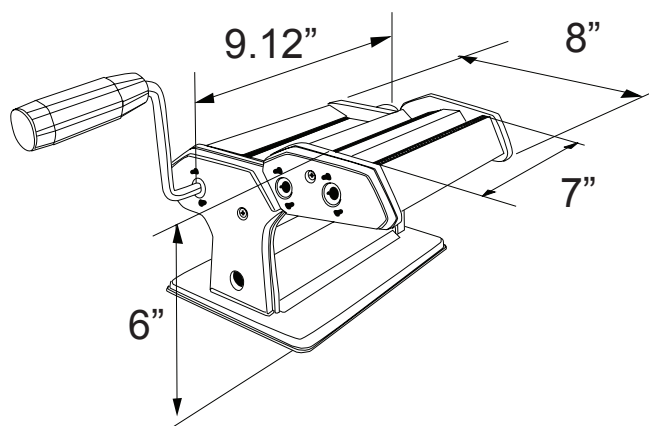
MACHINE DIMENSIONS

8.25" x 9.5" x 6"
209.55 x 241.3 x 152.4 mm

PACKAGING DIMENSIONS

10" x 8" x 7"
254 x 203.2 x 177.8 mm

TECHNICAL DRAWING AND DIMENSIONS



OMCAN INC.

Telephone: 1-800-465-0234

Fax: (905) 607-0234

Email: sales@omcan.com

Website: www.omcan.com



Follow us to keep up to date with the latest news and offers



2016.E.O.E