



4" Center Wall Mount Faucet

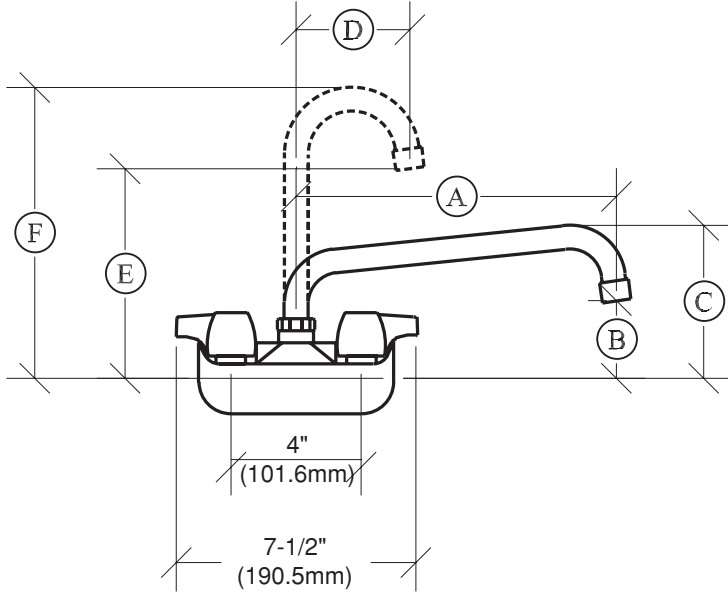
Model: _____

Item #: _____ Quantity: _____

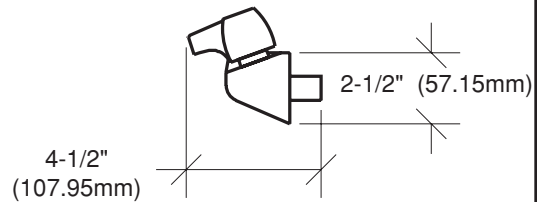
Project: _____



Plumbing



Front View



Side View

Gooseneck Spouts

MODEL NO.	A	B	C
10-406	6"	1 7/8"	4 3/8"
10-410	10"	2 1/8"	4 5/8"

MODEL NO.	D	E	F
10-400	3 1/2"	5 3/8"	8"

FEATURES:

- HEAVY DUTY SPOUT WITH DOUBLE O-RING CONSTRUCTION WITH WELDED SHOULDER FOR DURABILITY
- HIGH PRECISION MACHINING AND POLISHED NICKEL CHROMIUM FINISH
- COLOR CODED HANDLES
- OPTIONAL WRIST BLADE HANDLES AVAILABLE
- FULL REPLACEMENT PARTS AVAILABLE

SPECS:

- 4" ON CENTER WALL MOUNT WITH 1/2" NPT MALE INLETS
- ROUGH IN: TWO 7/8" ROUND HOLES ON 4" CENTERS
- SHIPPING WEIGHT: 3 LBS

Approved By: _____

Due to our commitment to continued product improvement, specifications are subject to change without notice.

Krowne Metal Corporation
 100 Haul Road Wayne, New Jersey 07470
www.krowne.com

Phone: 800-631-0442
FAX: 973-872-1129