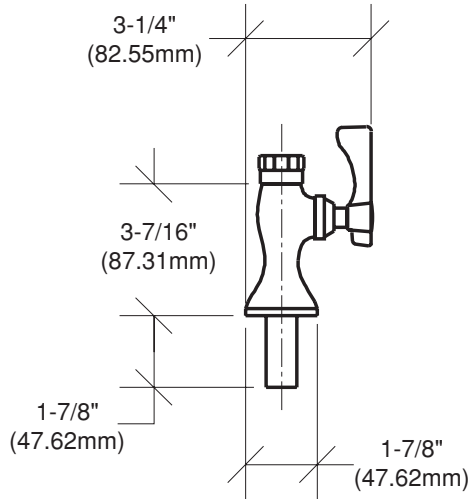


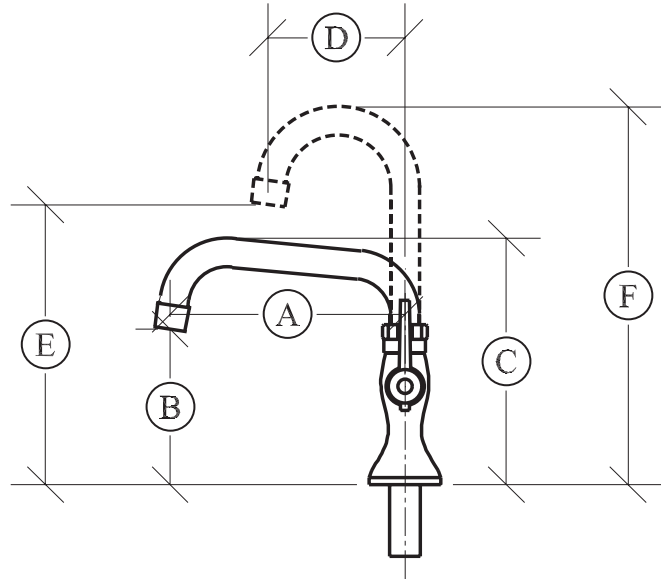
Model: _____

Item #: _____ Quantity: _____

Project: _____



Front View



Side View

Gooseneck Spouts

MODEL NO.	A	B	C
16-108	6"	4 1/2"	7"
16-109	12"	5 1/4"	7 3/4"

MODEL NO.	D	E	F
16-115	3 1/2"	7 7/8"	10 1/2"
16-116	6"	7 7/8"	11 7/8"

FEATURES:

- HEAVY DUTY SOLID BRASS SPOUT WITH DOUBLE O-RING CONSTRUCTION WITH REINFORCED SHOULDER FOR DURABILITY
- HIGH PRECISION MACHINING AND POLISHED NICKEL CHROMIUM FINISH
- FULL REPLACEMENT PARTS AVAILABLE

SPECS:

- SINGLE HOLE DECK MOUNT WITH 1/2" NPT MALE INLET WITH 1/4"
- ROUGH IN: 7/8" ROUND HOLE
- SHIPPING WEIGHT: 4 LBS

Approved By: _____

Due to our commitment to continued product improvement, specifications are subject to change without notice.