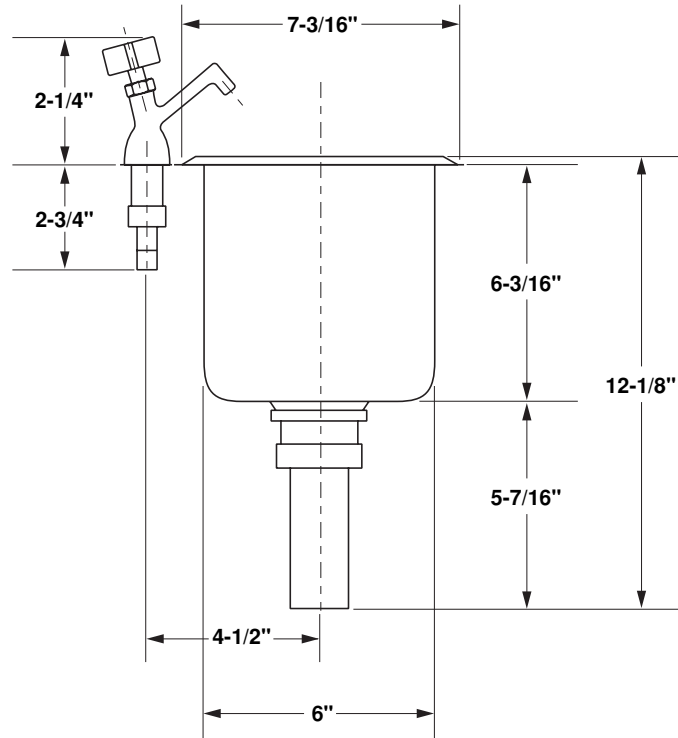


Model: **16-150/16-151** \_\_\_\_\_

Item #: \_\_\_\_\_ Quantity: \_\_\_\_\_

Project: \_\_\_\_\_



**FEATURES:**

- STAINLESS STEEL OUTER AND INNER CAN
- CHROME PLATED BRASS FAUCET
- FITS 6-1/2" HOLE

**SPECS:**

- ROUGH IN: 15/16" ROUND CUTOUT FOR FAUCET (16-151)
- ROUGH IN: 6-1/2" ROUND CUTOUT FOR DIPPERWELL (16-150)
- 1/2" NPT MALE WITH 3/8" NPT NIPPLE ON FAUCET, 1-1/2" NPT WITH TAILPIECE ON DIPPERWELL
- TEMP RANGE: 40°F TO 180°F
- SHIPPING WEIGHT: 6.5 LBS

Approved By: \_\_\_\_\_

Due to our commitment to continued product improvement, specifications are subject to change without notice.