



# Single Pantry Faucet

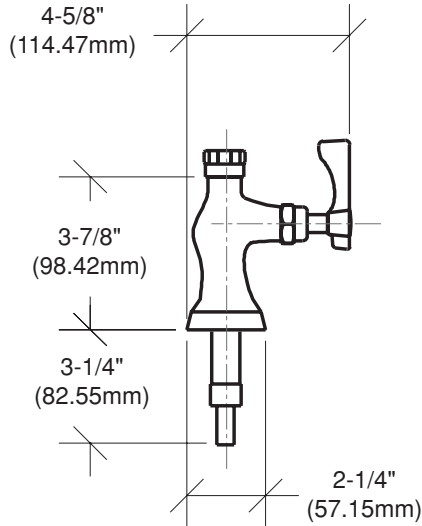
Model: \_\_\_\_\_

Item #: \_\_\_\_\_ Quantity: \_\_\_\_\_

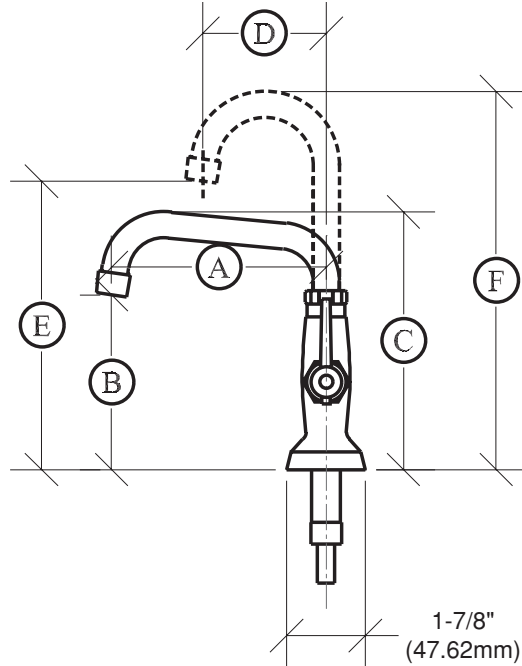
Project: \_\_\_\_\_



Plumbing



**Front View**



**Side View**

**Gooseneck Spouts**

MODEL NO.	A	B	C
16-200	6"	4 7/8"	7 3/8"
16-201	12"	5 7/8"	8 3/8"

MODEL NO.	D	E	F
16-202	3 1/2"	8 1/4"	10 7/8"
16-203	6"	8 1/4"	12 1/4"

**FEATURES:**

- 1/4 TURN HIGH PERFORMANCE CERAMIC CARTRIDGE WITH BUILT IN BACK FLOW PREVENTOR
- HEAVY DUTY SOLID BRASS SPOUT WITH DOUBLE O-RING CONSTRUCTION WITH REINFORCED SHOULDER FOR DURABILITY
- HIGH PRECISION MACHINING AND POLISHED NICKEL CHROMIUM FINISH
- FULL REPLACEMENT PARTS AVAILABLE
- 1 YEAR WARRANTY

**SPECS:**

- SINGLE HOLE DECK MOUNT WITH 1/2" NPT MALE INLET WITH 1/4" NPT FITTING
- ROUGH IN: 7/8" ROUND HOLE
- TEMP RANGE: 40°F TO 180°F
- SHIPPING WEIGHT: 5 LBS

Approved By: \_\_\_\_\_

Due to our commitment to continued product improvement, specifications are subject to change without notice.

**Krowne** Metal Corporation  
 100 Haul Road Wayne, New Jersey 07470  
[www.krowne.com](http://www.krowne.com)

**Phone: 800-631-0442**  
**FAX: 973-872-1129**