

Model: \_\_\_\_\_

Item #: \_\_\_\_\_ Quantity: \_\_\_\_\_

Project: \_\_\_\_\_



## Convenience Store Sink

- **Sink Bowls:**  
20 gauge 304 series stainless steel 10" x 14" x 10" deep. Furnished with 3 1/2" basket drains.
- **Drainboard:**  
20 gauge 304 series stainless steel reinforced with welded braces every six inches.
- **Front Apron:**  
20 gauge 304 series stainless steel clad over 20 gauge galvaneal.
- **Sides:**  
20 gauge 304 series stainless steel.
- **Backsplash:**  
20 gauge 304 series stainless steel.
- **Back and Bottom:**  
20 gauge galvaneal.
- **Legs:**  
1 5/8" tubular 16 gauge stainless steel with grey thermoplastic bullet feet.
- **Faucet (included):**  
4" center wall mount faucet.
- **Plumbing:**  
1/2" IPS hot and cold water  
1 1/2" IPS drain connection

### Accessories

- Royal Faucet with Cartridge Valve Upgrade

**Convenience Sinks**

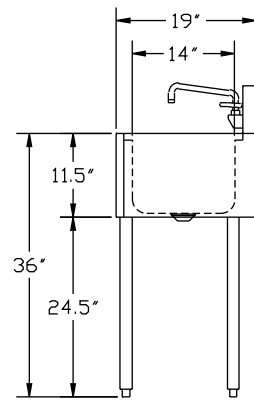
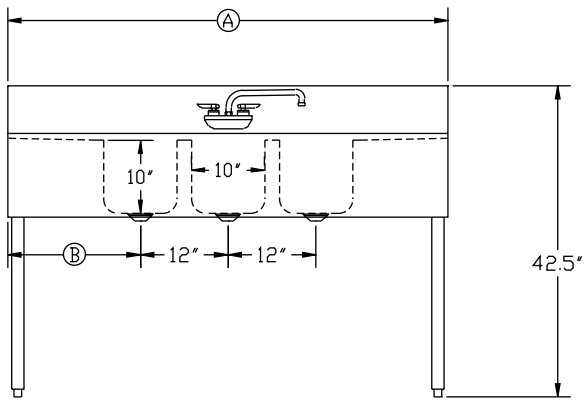
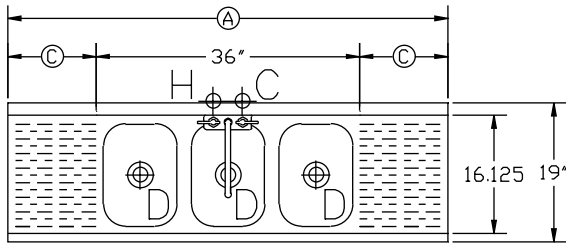
Approved By: \_\_\_\_\_



Model: \_\_\_\_\_ Item #: \_\_\_\_\_ Quantity: \_\_\_\_\_ Project: \_\_\_\_\_

## Convenience Store Sink

Model Numbers	Length (A)	Bowls	Left Side to Drain (B)	Drainboard Size (C)	Bowl(s) Location	Weight lbs
CS-1860	5'-0"	3	18"	12" (2 ea.)	Center	118
CS-1872	6'-0"	3	24"	18" (2 ea.)	Center	138



**Mechanical Requirements:**  
 1/2" IPS Hot and Cold Connection  
 1 1/2" IPS Drain Connection

Approved By: \_\_\_\_\_

Due to our commitment to continued product improvement, specifications are subject to change without notice.